
NFPA 780

Standard for the Installation of Lightning Protection Systems

2004 Edition

Copyright © 2004, National Fire Protection Association, All Rights Reserved

This edition of NFPA 780, *Standard for the Installation of Lightning Protection Systems*, was prepared by the Technical Committee on Lightning Protection and acted on by NFPA at its May Association Technical Meeting held May 23–26, 2004, in Salt Lake City, UT. It was issued by the Standards Council on July 16, 2004, with an effective date of August 5, 2004, and supersedes all previous editions.

This edition of NFPA 780 was approved as an American National Standard on August 5, 2004.

Origin and Development of NFPA 780

NFPA first adopted *Specifications for Protection of Buildings Against Lightning* in 1904. Revised standards were adopted in 1905, 1906, 1925, 1932, and 1937. In 1945, the NFPA Committee and the parallel ASA Committee on Protection Against Lightning were reorganized and combined under the sponsorship of NFPA, the National Bureau of Standards, and the American Institute of Electrical Engineers (now the IEEE). In 1946, NFPA acted to adopt Part III and in 1947 published a revised edition incorporating this part. Further revisions recommended by the Committee were adopted by NFPA in 1949, 1950, 1951, 1952, 1957, 1959, 1963, 1965, 1968, 1975, 1977, 1980, 1983, 1986, 1989, and 1992.

Commencing with the 1992 edition of the *Lightning Protection Code*, the NFPA numerical designation of the document was changed from NFPA 78 to NFPA 780.

With the issuance of the 1995 edition, the name of the document was changed from *Lightning Protection Code* to *Standard for the Installation of Lightning Protection Systems*. This change was directed by the Standards Council in order to make the title more accurately reflect the document's content. In addition, the Council directed certain changes to the scope of the document in order to clarify that the document did not cover lightning protection installation requirements for early streamer emission systems or lightning dissipater array systems.

The 1997 edition of NFPA 780 incorporated editorial changes to make the document more user friendly.

In issuing this document, the Standards Council has noted that lightning is a stochastic, if not capricious, natural process. Its behavior is not yet completely understood. This standard is intended to provide requirements, within the limits of the current state of knowledge, for the installation of those lightning protection systems covered by the standard.

The 2000 edition of NFPA 780 was amended to provide requirements for open structures such as those found on golf courses. A 1998 lightning flash density chart replaced the 1972 lightning frequency isoceraunic chart.

The 2004 edition of NFPA 780 reflects an extensive editorial revision of the standard to comply with the latest edition of the NFPA *Manual of Style*. These revisions include the addition of three

administrative chapters at the beginning of the standard: “Administration,” “Referenced Publications,” and “Definitions.” Five technical chapters follow the administrative chapters in the same sequence as in the 2000 edition. Other editorial revisions include the breakout of paragraphs with multiple requirements to individually numbered paragraphs for each requirement, the minimization of use of exceptions, the use of consistent headings for sections and section subdivisions, and reorganization to limit paragraph numbering to six digits. The International System of Units, commonly known as SI or metric, is used throughout the document. The appendixes have been renamed annexes and have been reordered in a more logical sequence.

The 2004 edition also contains a number of technical revisions throughout the standard. These include the following: a main conductor, solid strip, was added for Class II material requirements for ordinary structures exceeding 75 ft in height; handrails can be used as a substitute for down conductors; additional separation between ground rods is required where multiple ground rods are used; additional guidance is provided for those instances where it is necessary to install the grounding conductor directly on bedrock; the section entitled “Surge Suppression” was entirely rewritten; titanium strike termination devices can now be used; and in Annex K the term *Faraday cage* was replaced with *metallic cage*.

Technical Committee on Lightning Protection

Mitchell Guthrie, *Chair*
Universal Systems Inc., NC [SE]

Gerard M. Berger, CNRS - Supelec, France [SE]

Ignacio T. Cruz, Cruz Associates, Inc., VA [SE]

Franco D'Alessandro, ERICO, Inc., OH [M]

Dennis P. Dillon, Bonded Lightning Protection, Inc., FL [IM]
Rep. Lightning Protection Institute

Douglas J. Franklin, Thompson Lightning Protection Inc., MN [M]

John R. Fredlund, U.S. Department of Energy/NA-53, DC [E]

Thomas R. Harger, Harger Lightning Protection Inc., IL [M]

William E. Heary, Lightning Preventors of America Inc., NY [IM]

Bruce A. Kaiser, Lightning Master Corporation, FL [M]

Norbert S. Klekowski, BP p.l.c., IL [U]
Rep. American Petroleum Institute

Richard W. Kragh, Kragh Engineering Inc., IL [SE]

Joseph A. Lanzoni, Lightning Eliminators & Consultants Inc., CO [M]

Edward A. Lobnitz, Tilden Lobnitz Cooper Inc., FL [SE]

Eduardo Mariani, Datawaves SRL, Argentina [SE]

David E. McAfee, Fire and Lightning Consultants, GA [SE]

R. B. Melton, Jr., BellSouth Telecommunications, Inc., GA [U]
Rep. Alliance for Telecommunications Industry Solutions

Terrance K. Portfleet, Michigan Lightning Protection Company, MI [IM]
Rep. United Lightning Protection Association, Inc.

Robert W. Rapp, National Lightning Protection Corp., CO [M]

Dick Reehl, Qwest, WA [U]

William Rison, New Mexico Institute of Mining & Technology, NM [SE]

Timothy E. Russell, Underwriters Laboratories Inc., IL [RT]

Lon D. Santis, Institute of Makers of Explosives, DC [U]

Larry W. Strother, U.S. Air Force, FL [E]

John M. Tobias, U.S. Department of the Army, NJ [U]

Charles L. Wakefield, U.S. Department of the Navy, MD [E]

Donald W. Zipse, Zipse Electrical Engineering Inc., PA [U]
Rep. Institute of Electrical & Electronics Engineers, Inc.

Alternates

Charles H. Ackerman, East Coast Lightning Equipment Inc., CT [IM]
(Alt. to Dennis P. Dillon)

Peter A. Carpenter, Lightning Eliminators & Consultants Inc., CO [M]
(Alt. to Joseph A. Lanzoni)

Dennis Dyl, Kragh Engineering Inc., IL [SE]
(Alt. to Richard W. Kragh)

Timothy R. Harger, Harger Lightning Protection, Inc., IL [M]
(Alt. to Thomas R. Harger)

Kenneth P. Heary, Lightning Preventor of America Inc., NY [IM]
(Alt. to William E. Heary)

Paris M. Hudspeth, Underwriters Laboratories Inc., IL [RT]
(Alt. to Timothy E. Russell)

Stephen Humeniuk, Warren Lightning Rod Company, NJ [IM]
(Alt. to Terrance K. Portfleet)

Christopher R. Karabin, U.S. Department of the Navy, MD [E]
(Alt. to Charles L. Wakefield)

David John Leidel, Halliburton Energy Services, TX [U]
(Alt. to Lon D. Santis)

Charles B. Moore, New Mexico Institute of Mining & Technology, NM [SE]
(Alt. to William Rison)

Allan P. Steffes, Thompson Lightning Protection Inc., MN [M]
(Alt. to Douglas J. Franklin)

Antony J. Surtees, ERICO, Incorporated, OH [M]
(Alt. to Franco D'Alessandro)

Paul R. Svendsen, National Lightning Protection Corporation, CO [M]
(Alt. to Robert W. Rapp)

Richard J. Roux, NFPA Staff Liaison

This list represents the membership at the time the Committee was balloted on the final text of this edition. Since that time, changes in the membership may have occurred. A key to classifications is found at the back of the document.

NOTE: Membership on a committee shall not in and of itself constitute an endorsement of the Association or any document developed by the committee on which the member serves.

Committee Scope: This Committee shall have primary responsibility for documents on the protection from lightning of buildings and structures, recreation and sports areas, and any other situations involving danger from lightning to people or property, except those concepts utilizing early streamer emission air terminals. The protection of electric generating, transmission, and distribution systems is not within the scope of this Committee.

NFPA 780
Standard for the
Installation of Lightning Protection Systems
2004 Edition

IMPORTANT NOTE: This NFPA document is made available for use subject to important notices and legal disclaimers. These notices and disclaimers appear in all publications containing this document and may be found under the heading “Important Notices and Disclaimers Concerning NFPA Documents.” They can also be obtained on request from NFPA or viewed at www.nfpa.org/disclaimers.

NOTICE: An asterisk (*) following the number or letter designating a paragraph indicates that explanatory material on the paragraph can be found in Annex A.

Changes other than editorial are indicated by a vertical rule beside the paragraph, table, or figure in which the change occurred. These rules are included as an aid to the user in identifying changes from the previous edition. Where one or more complete paragraphs have been deleted, the deletion is indicated by a bullet (•) between the paragraphs that remain.

A reference in brackets [] following a section or paragraph indicates material that has been extracted from another NFPA document. As an aid to the user, the complete title and edition of the source documents for mandatory extracts are given in Chapter 2 and those for nonmandatory extracts are given in Annex N. Editorial changes to extracted material consist of revising references to an appropriate division in this document or the inclusion of the document number with the division number when the reference is to the original document. Requests for interpretations or revisions of extracted text shall be sent to the technical committee responsible for the source document.

Information on referenced publications can be found in Chapter 2 and Annex N.

NEXT CHAPTER

Chapter 1 Administration

1.1 Scope.

1.1.1 This document shall cover traditional lightning protection system installation requirements for the following:

- (1) Ordinary structures
- (2) Miscellaneous structures and special occupancies
- (3) Heavy-duty stacks
- (4) Watercraft
- (5) Structures containing flammable vapors, flammable gases, or liquids that give off flammable vapors

1.1.2* This document shall not cover lightning protection system installation requirements for the following:

- (1) Explosives manufacturing buildings and magazines
- (2) Electric generating, transmission, and distribution systems

1.1.3 This document shall not cover lightning protection system installation requirements for early streamer emission systems or charge dissipation systems.

1.2 Purpose.

The purpose of this standard shall be to provide for the safeguarding of persons and property from hazards arising from exposure to lightning.

1.3 Listed, Labeled, or Approved Components.

Where fittings, devices, or other components required by this standard are available as listed or labeled, such components shall be used.

1.4 Mechanical Execution of Work.

Lightning protection systems shall be installed in a neat and workmanlike manner.

1.5* Maintenance.

Recommended guidelines for the maintenance of the lightning protection system shall be provided to the owner at the completion of installation.

1.6 Metric Units of Measurement.

Metric units of measurement in this standard shall be in accordance with the modernized metric system known as the International System of Units (SI).

1.6.1 If a value for measurement as given in this standard is followed by an equivalent value in other units, the first stated value shall be the requirement.

1.6.2 A given equivalent value shall be approximate.

NEXT CHAPTER

Chapter 2 Referenced Publications

2.1 General.

The documents or portions thereof listed in this chapter are referenced within this standard and shall be considered part of the requirements of this document.

2.2 NFPA Publication.

National Fire Protection Association, 1 Batterymarch Park, Quincy, MA 02169-7471.

[NFPA 70](#), *National Electrical Code*[®], 2002 edition.

2.3 Other Publications. (Reserved)

NEXT CHAPTER

Chapter 3 Definitions

3.1 General.

The definitions contained in this chapter shall apply to the terms used in this standard. Where terms are not included, common usage of the terms shall apply.

3.2 NFPA Official Definitions.

3.2.1* Approved. Acceptable to the authority having jurisdiction.

3.2.2* Authority Having Jurisdiction (AHJ). An organization, office, or individual responsible for enforcing the requirements of a code or standard, or for approving equipment, materials, an installation, or a procedure.

3.2.3 Labeled. Equipment or materials to which has been attached a label, symbol, or other identifying mark of an organization that is acceptable to the authority having jurisdiction and concerned with product evaluation, that maintains periodic inspection of production of labeled equipment or materials, and by whose labeling the manufacturer indicates compliance with appropriate standards or performance in a specified manner.

3.2.4* Listed. Equipment, materials, or services included in a list published by an organization that is acceptable to the authority having jurisdiction and concerned with evaluation of products or services, that maintains periodic inspection of production of listed equipment or materials or periodic evaluation of services, and whose listing states that either the equipment, material, or service meets appropriate designated standards or has been tested and found suitable for a specified purpose.

3.2.5 Shall. Indicates a mandatory requirement.

3.2.6 Should. Indicates a recommendation or that which is advised but not required.

3.2.7 Standard. A document, the main text of which contains only mandatory provisions using the word “shall” to indicate requirements and which is in a form generally suitable for mandatory reference by another standard or code or for adoption into law. Nonmandatory provisions shall be located in an appendix or annex, footnote, or fine-print note and are not to be considered a part of the requirements of a standard.

3.3 General Definitions.

3.3.1 Bonding. An electrical connection between an electrically conductive object and a component of a lightning protection system that is intended to significantly reduce potential differences created by lightning currents.

3.3.2* Cable. A conductor formed of a number of wires stranded together.

3.3.3 Chimney. A smoke or vent stack having a flue with a cross-sectional area less than 0.3 m² (500 in.²) and a total height of 23 m (75 ft) or less.

3.3.4* Combination Waveform Generator. A surge generator with a 2-ohm internal impedance producing a 1.2/50 μs open circuit voltage and an 8/20 short-circuit current waveshape.

3.3.5 Conductor.

3.3.5.1 Bonding Conductor. A conductor used for potential equalization between grounded metal bodies and a lightning protection system.

3.3.5.2 Loop Conductor. A conductor encircling a structure that is used to interconnect ground terminals, main conductors, or other grounded bodies.

3.3.5.3* Main Conductor. A conductor intended to be used to carry lightning currents between strike termination devices and ground terminals.

3.3.6 Copper-Clad Steel. Steel with a coating of copper bonded to it.

3.3.7 Fastener. An attachment device used to secure the conductor to the structure.

3.3.8 Flame Protection. Self-closing gauge hatches, vapor seals, pressure-vacuum breather valves, flame arresters, or other effective means to minimize the possibility of flame entering the vapor space of a tank.

3.3.9* Flammable Air–Vapor Mixtures. Flammable vapors mixed with air in proportions that will cause the mixture to burn rapidly when ignited.

3.3.10 Flammable Vapors. A concentration of constituents in air that exceeds 10 percent of its lower flammable limit (LFL). [115: 3.3]

3.3.11 Flash Point. The minimum temperature at which a liquid or a solid emits vapor sufficient to form an ignitable mixture with air near the surface of the liquid or the solid.

Chapter 4 Protection for Ordinary Structures

4.1 General.

4.1.1 Ordinary Structures. An ordinary structure shall be any structure that is used for ordinary purposes, whether commercial, industrial, farm, institutional, or residential.

4.1.1.1 Ordinary structures shall be protected according to [4.1.1.1\(A\)](#) or [4.1.1.1\(B\)](#).

(A) Ordinary structures not exceeding 23 m (75 ft) in height shall be protected with Class I materials as shown in [Table 4.1.1.1\(A\)](#).

Table 4.1.1.1(A) Minimum Class I Material Requirements

Type of Conductor	Parameter	Copper	
		SI	U.S.
Air terminal, solid	Diameter	9.5 mm	$\frac{3}{8}$ in.
Air terminal, tubular	Diameter	15.9 mm	$\frac{5}{8}$ in.
	Wall thickness	0.8 mm	0.033 in.
Main conductor, cable	Size each strand		17 AWG
	Weight per length	278 g/m	187 lb/1000 ft
	Cross section area	29 mm ²	57,400 cir. mils
Bonding conductor, cable (solid or stranded)	Size each strand		17 AWG
	Cross section area		26,240 cir. mils
Bonding conductor, solid strip	Thickness	1.30 mm	0.051 in.
	Width	12.7 mm	$\frac{1}{2}$ in.
Main conductor, solid strip	Thickness	1.30 mm	0.051 in.
	Cross section area	29 mm ²	57,400 cir. mils

(B) Ordinary structures exceeding 23 m (75 ft) in height shall be protected with Class II materials as shown in [Table 4.1.1.1\(B\)](#).

Table 4.1.1.1(B) Minimum Class II Material Requirements

Type of Conductor	Parameter	Copper	
		SI	U.S.
Air terminal, solid	Diameter	12.7 mm	$\frac{1}{2}$ in.
Main conductor, cable	Size each strand		15 AWG
	Weight per length	558 g/m	375 lb/1000 ft
	Cross section area	58 mm ²	115,000 cir. mils

Bonding conductor, cable (solid or stranded)	Size each strand Cross section area		17 AWG 26,240 cir. mils
Bonding conductor, solid strip	Thickness	1.30 mm	0.051 in.
	Width	12.7 mm	½ in.
Main conductor, solid strip	Thickness	1.63 mm	0.064 in.
	Cross section area	58 mm ²	115,000 cir. mils

4.1.1.2 If part of a structure exceeds 23 m (75 ft) in height (e.g., a steeple) and the remaining portion does not exceed 23 m (75 ft) in height, the requirements for Class II air terminals and conductors shall apply only to that portion exceeding 23 m (75 ft) in height.

4.1.1.3 Class II conductors from the higher portion shall be extended to ground and shall be interconnected with the balance of the system.

4.1.2 Roof Types and Pitch. For the purpose of this standard, protection for the various roof types shall be as shown in [Figure 4.1.2](#).

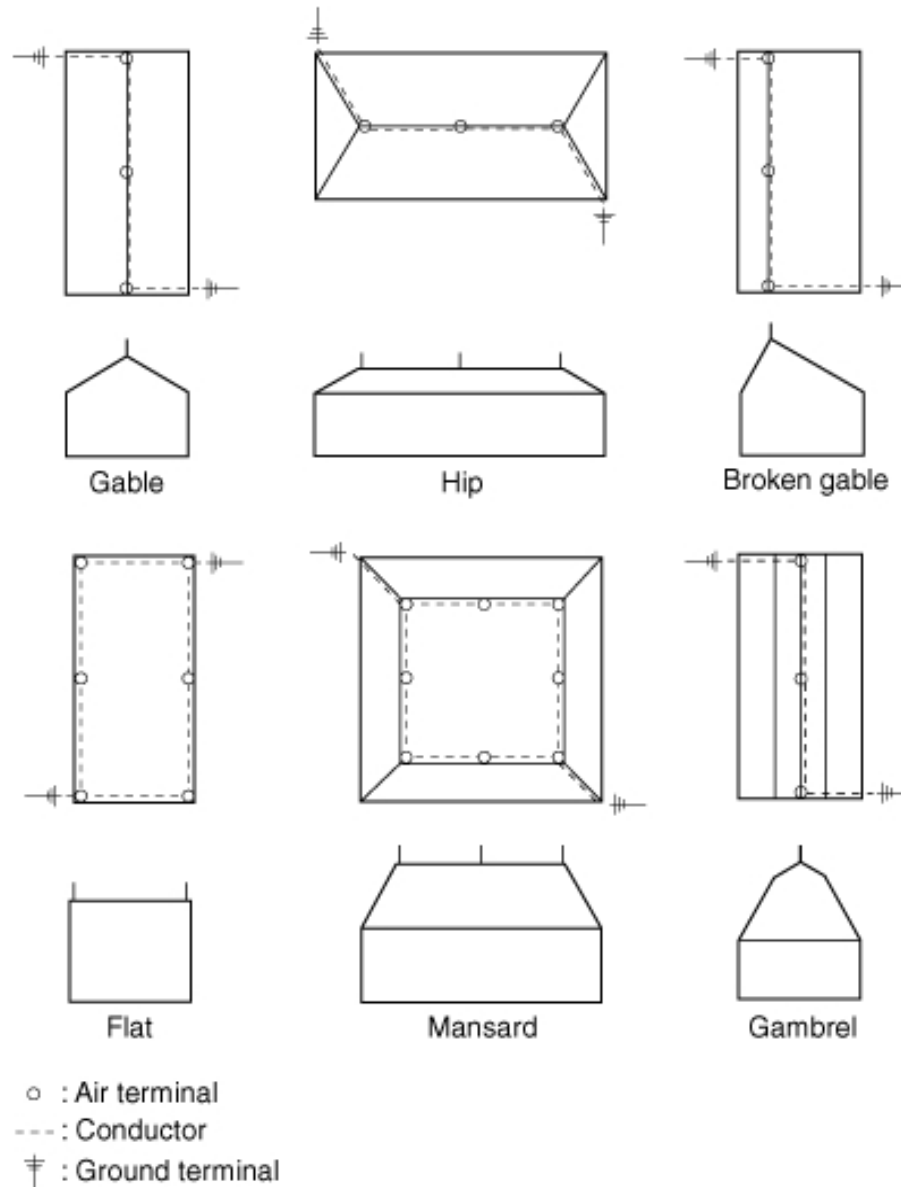


FIGURE 4.1.2 Roof Types: Protection Methods. (Drawings are top and end views of each roof type.)

4.1.2.1 Protection for a shed roof shall be as illustrated for gable method in [Figure 4.1.2](#).

4.1.2.2 For purposes of this standard, roof pitches shall be as shown in [Figure 4.1.2.2](#).

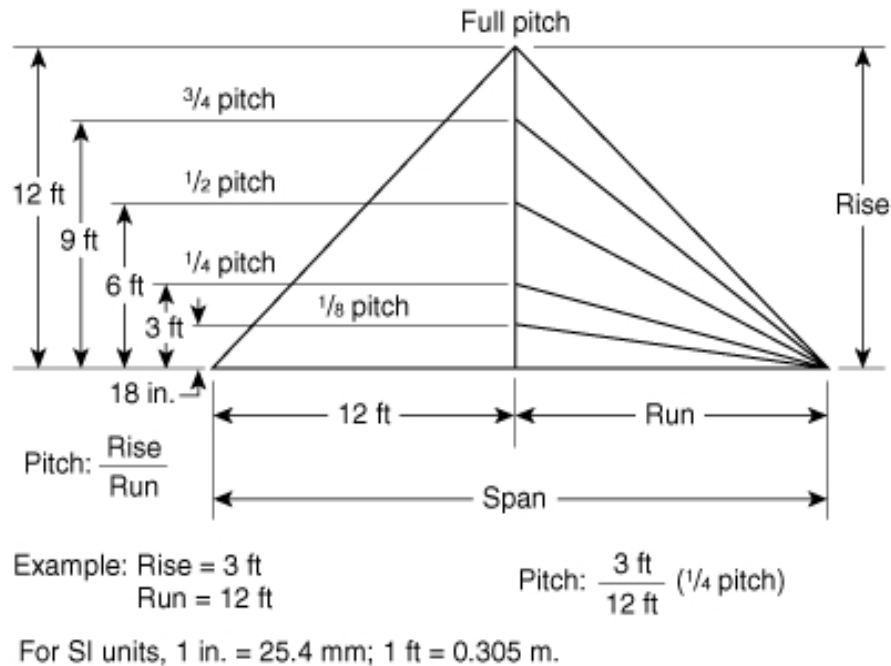


FIGURE 4.1.2.2 Roof Pitch.

4.2 Materials.

Protection systems shall be made of materials that are resistant to corrosion or protected against corrosion.

4.2.1 Combinations of materials that form electrolytic couples of such a nature that, in the presence of moisture, corrosion is accelerated shall not be used.

4.2.2 One or more of the materials in [4.2.2.1](#) through [4.2.2.3](#) shall be used.

4.2.2.1 Copper. Copper shall be of the grade required for commercial electrical work and shall be of 95 percent conductivity when annealed.

4.2.2.2 Copper Alloys. Copper alloy shall be as resistant to corrosion as copper.

4.2.2.3 Aluminum.

(A) Aluminum shall not be used where contact with the earth is possible or where rapid deterioration is possible.

(B) Conductors shall be of electrical grade aluminum.

4.2.3 Copper lightning protection materials shall not be installed on aluminum roofing, aluminum siding, or other aluminum surfaces.

4.2.4 Aluminum lightning protection materials shall not be installed on copper surfaces.

4.3 Corrosion Protection.

4.3.1 Protection shall be provided against deterioration of lightning protection components due to local conditions.

4.3.2 Copper components installed within 600 mm (24 in.) of the top of a chimney or vent emitting corrosive gases shall be protected by a hot-dipped lead or tin coating.

4.4 Mechanical Damage or Displacement.

4.4.1 Any part of a lightning protection system that is subject to mechanical damage or displacement

shall be protected with a protective molding or covering.

4.4.2 Where metal pipe or tubing is used around the conductor, the conductor shall be electrically connected to the pipe or tubing at both ends.

4.5 Use of Aluminum.

Aluminum systems shall be installed in accordance with other applicable sections and [4.5.1](#) through [4.5.4](#).

4.5.1 Aluminum lightning protection equipment shall not be installed on copper roofing materials or other copper surfaces, or where exposed to runoff from copper surfaces.

4.5.2 Aluminum materials shall not be used where they come into direct contact with earth.

4.5.2.1 Fittings used for the connection of aluminum down conductors to copper or copper-clad grounding equipment shall be of the bimetallic type.

4.5.2.2 Bimetallic connectors shall be installed not less than 460 mm (18 in.) above earth level.

4.5.3 Connectors and Fittings.

4.5.3.1 Connectors and fittings shall be compatible for use with the conductor and the surfaces on which they are installed.

4.5.3.2 Bimetallic connectors and fittings shall be used for splicing or bonding dissimilar metals.

4.5.4 An aluminum conductor shall not be attached to a surface coated with alkaline-base paint, embedded in concrete or masonry, or installed in a location subject to excessive moisture.

4.6 Strike Termination Devices.

4.6.1 General.

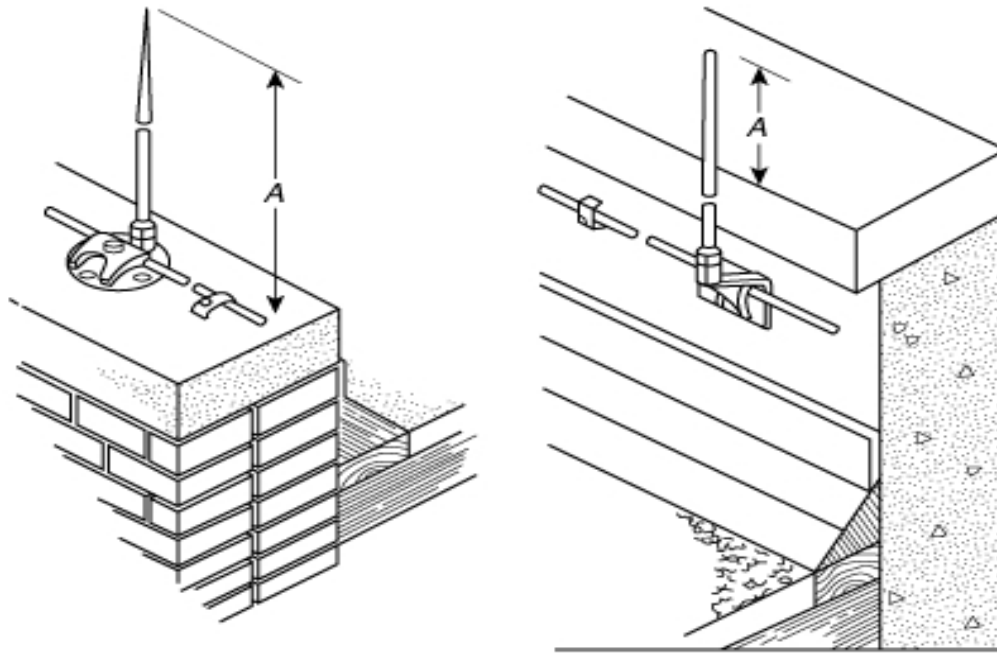
4.6.1.1 Strike termination devices shall be provided where required by other sections of this standard.

4.6.1.2 Metal parts of a structure that are exposed to direct lightning flashes and that have a metal thickness of 4.8 mm ($\frac{3}{16}$ in.) or greater shall require only connection to the lightning protection system.

4.6.1.3 Such connections shall provide a minimum of two paths to ground.

4.6.1.4 Strike termination devices shall not be required for those parts of a structure located within a zone of protection.

4.6.2* Air Terminal Height. The tip of an air terminal shall be not less than 254 mm (10 in.) above the object or area it is to protect, as shown in [Figure 4.6.2](#).



A: 254 mm (10 in.)

Note: Air terminal tip configurations can be sharp or blunt.

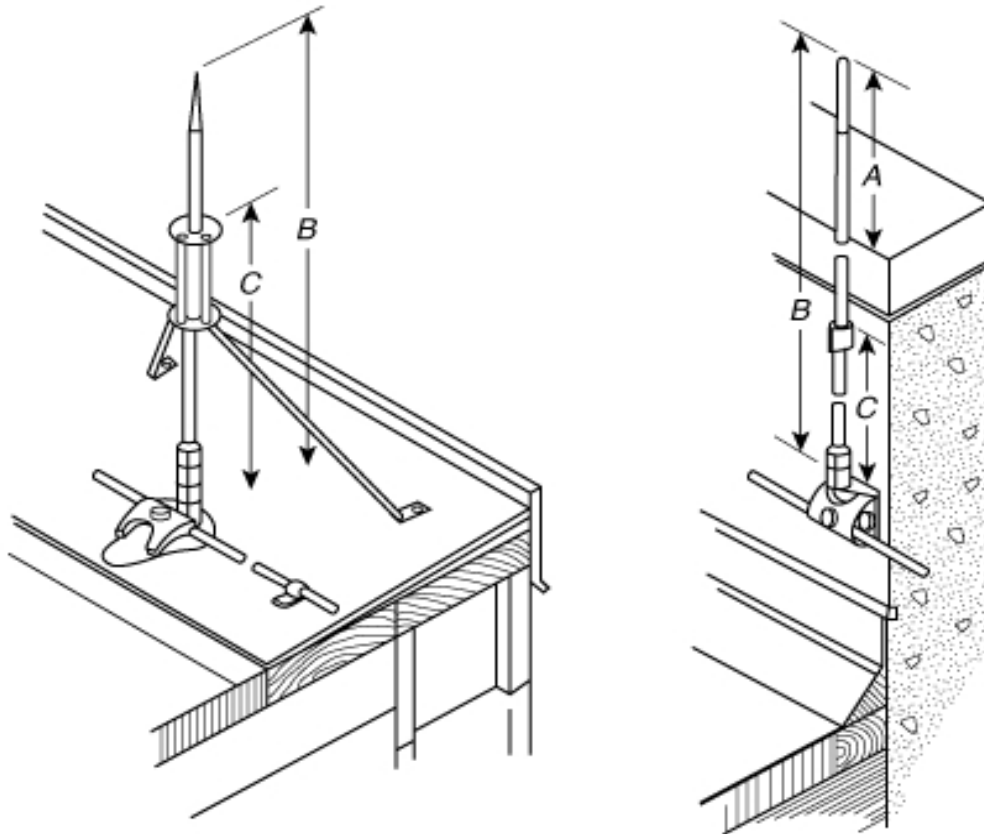
FIGURE 4.6.2 Air Terminal Height.

4.6.3 Air Terminal Support.

4.6.3.1 Air terminals shall be secured against overturning by one of the following methods:

- (1) Attachment to the object to be protected
- (2) Braces that are permanently and rigidly attached to the building

4.6.3.2 Air terminals exceeding 600 mm (24 in.) in height above the area or object they are to protect shall be supported at a point not less than one-half their height, as shown in [Figure 4.6.3.2](#).



A: 600 mm (24 in.)

B: Air terminals over 600 mm (24 in.) high are supported.

C: Air terminal supports are located at a point not less than one-half the height of the air terminal.

Note: Air terminal tip configurations can be sharp or blunt.

FIGURE 4.6.3.2 Air Terminal Support.

NEXT CHAPTER

4.6.4 Ornaments.

4.6.4.1 An ornament or decoration on a freestanding, unbraced air terminal shall not present, in any plane, a wind-resistance area in excess of 0.01 m^2 (20 in.^2).

4.6.4.2 The requirement of [4.6.4.1](#) shall permit the use of an ornamental ball 127 mm (5 in.) in diameter.

4.7 Zones of Protection.

The geometry of the structure shall determine the zone of protection.

4.7.1 Roof Types. The zone of protection for the following roof types shall include the roof and appurtenances where protected in accordance with [Section 4.8](#):

- (1) Flat or gently sloping roofs
- (2) Dormers
- (3) Domed roofs
- (4) Roofs with ridges, wells, chimneys, or vents

4.7.2 Multiple-Level Roofs.

4.7.2.1 For structures with multiple-level roofs no more than 15 m (50 ft) in height, the zone of protection shall include areas as identified in [4.7.2.3](#) and [4.7.2.4](#).

4.7.2.2 The zone of protection shall form a cone whose apex is located at the highest point of the strike termination device, with walls forming a 45-degree or 63-degree angle from the vertical.

4.7.2.3 Structures that do not exceed 7.6 m (25 ft) above earth shall be considered to protect lower portions of a structure located within a one-to-two zone of protection as shown in [Figure 4.7.2.3\(a\)](#) and [Figure 4.7.2.3\(b\)](#).

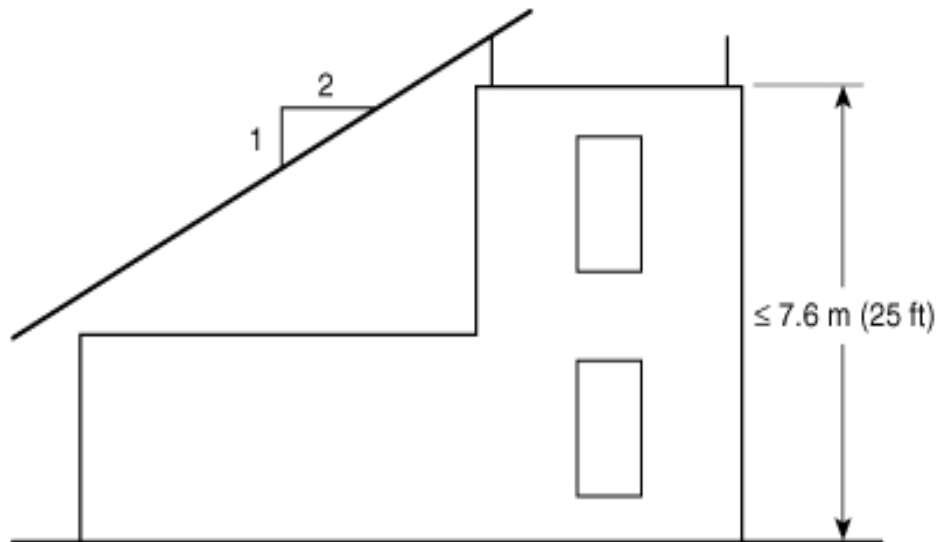


FIGURE 4.7.2.3(a) Lower Roof Protection for Flat Roof Buildings 7.6 m (25 ft) or Less in Height.

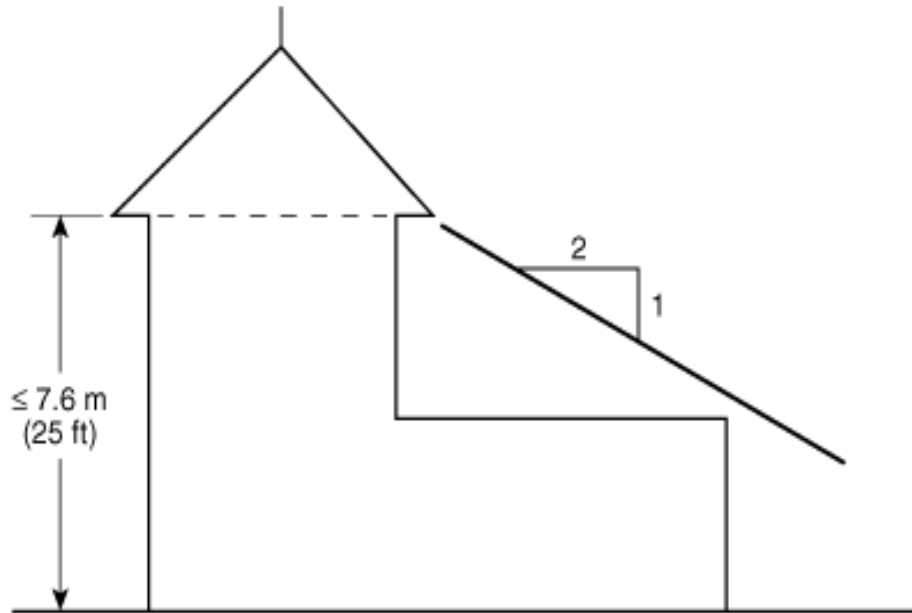


FIGURE 4.7.2.3(b) Lower Roof Protection Provided by Pitched Roof Buildings 7.6 m (25 ft) or Less in Height.

4.7.2.4 Structures that do not exceed 15 m (50 ft) above earth shall be considered to protect lower portions of a structure located within a one-to-one zone of protection as shown in [Figure 4.7.2.4\(a\)](#) and [Figure 4.7.2.4\(b\)](#).

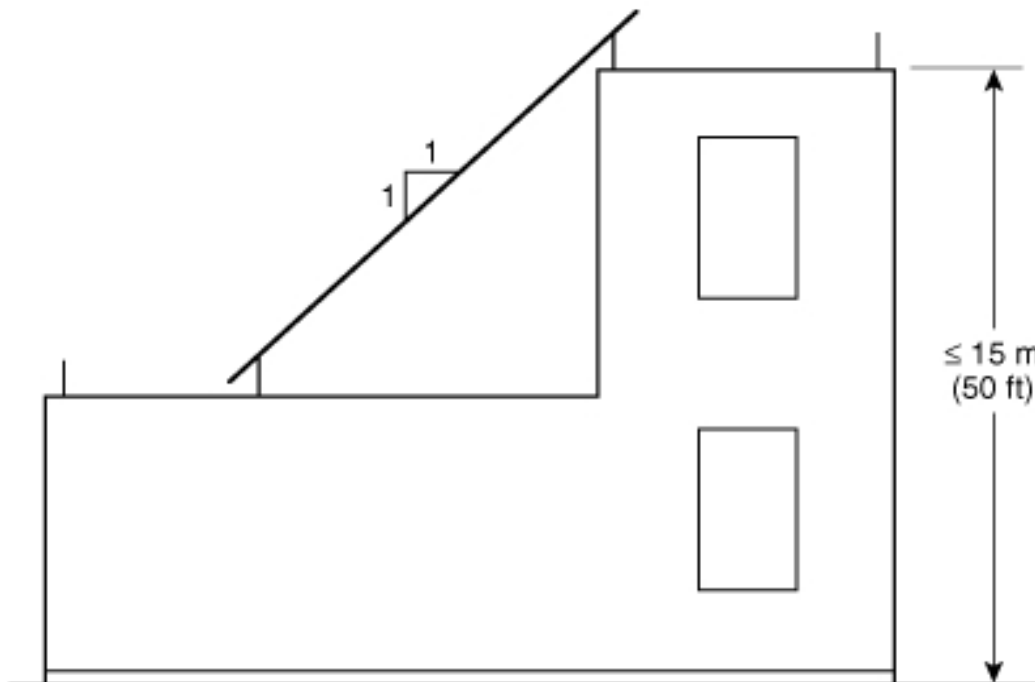


FIGURE 4.7.2.4(a) Lower Roof Protection for Buildings 15 m (50 ft) or Less in Height.

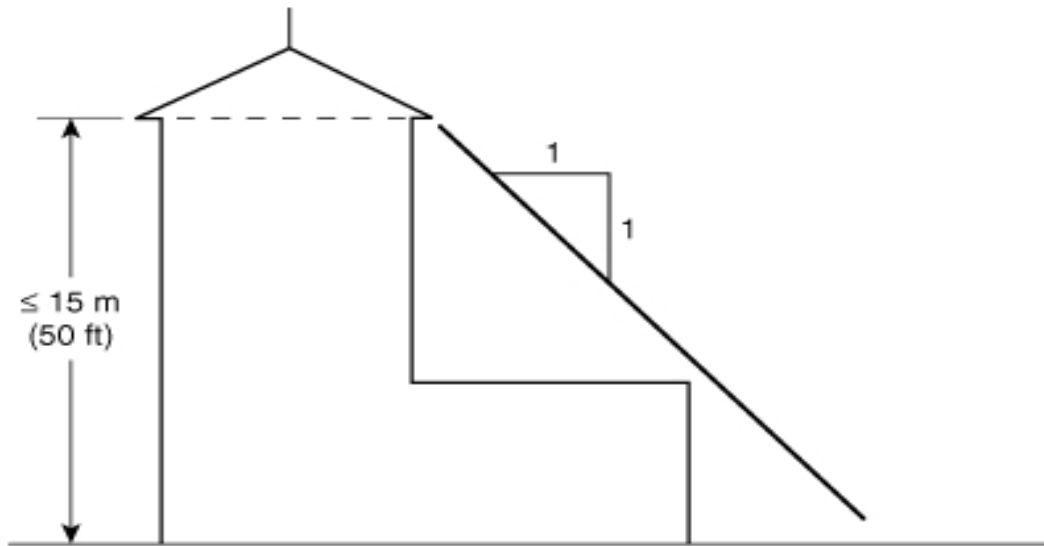


FIGURE 4.7.2.4(b) Lower Roof Protection Provided by Pitched Roof Buildings 15 m (50 ft) or Less in Height.

4.7.3 Rolling Sphere Model.

4.7.3.1 The zone of protection shall include the space not intruded by a rolling sphere having a radius of 46 m (150 ft).

(A) Where the sphere is tangent to earth and resting against a strike termination device, all space in the vertical plane between the two points of contact and under the sphere shall be considered to be in the zone of protection.

(B) A zone of protection shall also be formed where such a sphere is resting on two or more strike termination devices and shall include the space in the vertical plane under the sphere and between those devices, as shown in [Figure 4.7.3.1\(B\)](#).

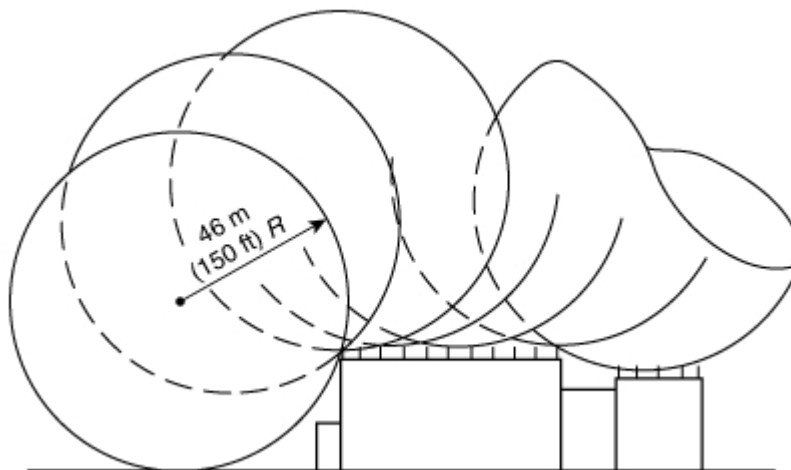


FIGURE 4.7.3.1(B) Zone of Protection Depicting Rolling Sphere.

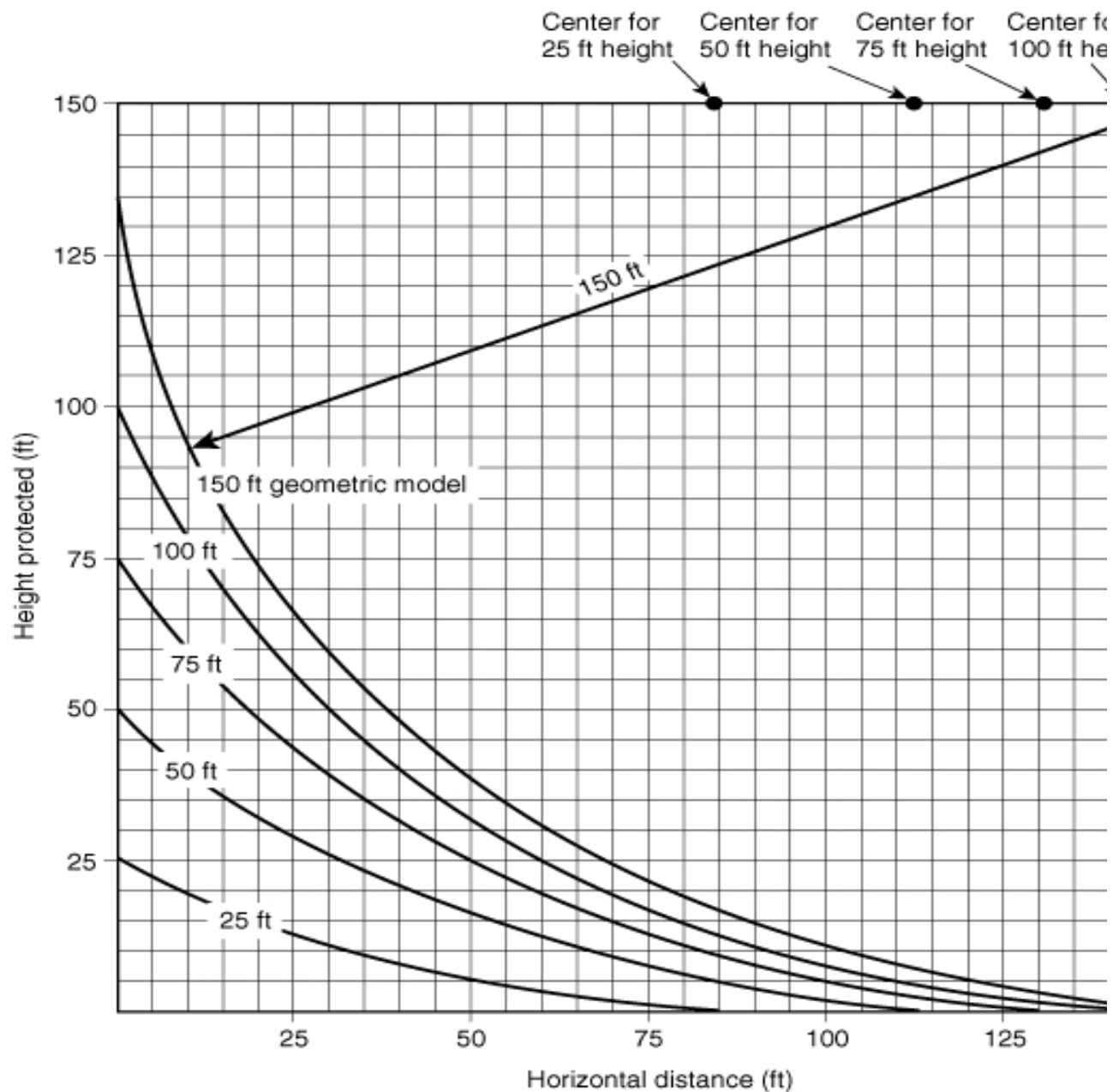
(C) All possible placements of the sphere shall be considered when determining the zone of protection using the rolling sphere model.

4.7.3.2 For structure heights exceeding 46 m (150 ft) above earth or above a lower strike termination device, the zone of protection shall be the space in the vertical plane between the points of contact and

also under the sphere where the sphere is resting against a vertical surface of the structure and the lower strike termination device or earth.

(A) The zone of protection shall be limited to the space above the horizontal plane of the lowest terminal.

4.7.3.3 Figure 4.7.3.3 depicts the 46 m (150 ft) geometric model for structures of selected heights up to 46 m (150 ft). Based on the height of the strike termination device for a protected structure being 7.6 m (25 ft), 15 m (50 ft), 23 m (75 ft), 30 m (100 ft), or 46 m (150 ft) above ground, reference to the appropriate curve shows the anticipated zone of protection for objects and roofs at lower elevations.



For SI units, 1 ft = 0.305 m.

FIGURE 4.7.3.3 Zone of Protection Utilizing Geometric Model.

(A) The graph shows the protected distance (“horizontal distance”) as measured radially from the protected structure.

(B) The horizontal distance thus determined shall apply only at the horizontal plane of the “height protected.”

4.7.3.4 Under the rolling sphere model, the horizontal protected distance found geometrically by [Figure 4.7.3.3](#) (“horizontal distance, ft”) also shall be permitted to be calculated using the formula:

$$d = \sqrt{h_1(300 - h_1)} - \sqrt{h_2(300 - h_2)}$$

where:

d = horizontal distance (ft)

h_1 = height of the higher roof (ft)

h_2 = height of the lower roof (top of the object)(ft)

4.7.3.4.1 Use of this formula shall be based on a 46 m (150 ft) striking distance.

4.7.3.4.2 For the formula to be valid, the sphere shall be either tangent to the lower roof or in contact with the earth, and in contact with the vertical side of the higher portion of the structure.

(A) In addition, the difference in heights between the upper and lower roofs or earth shall be 46 m (150 ft) or less.

NEXT CHAPTER

4.8 Strike Termination Devices on Roofs.

4.8.1 Pitched Roofs.

(A) Pitched roofs shall be defined as roofs having a span of 12 m (40 ft) or less and a pitch $\frac{1}{8}$ or greater and roofs having a span of more than 12 m (40 ft) and a pitch $\frac{1}{4}$ or greater.

(B) All other roofs shall be considered gently sloping and are to be treated as flat.

4.8.2 Location of Devices. As shown in [Figure 4.8.2](#), strike termination devices shall be placed at or within 0.6 m (2 ft) of ridge ends on pitched roofs or at edges and outside corners of flat or gently sloping roofs.

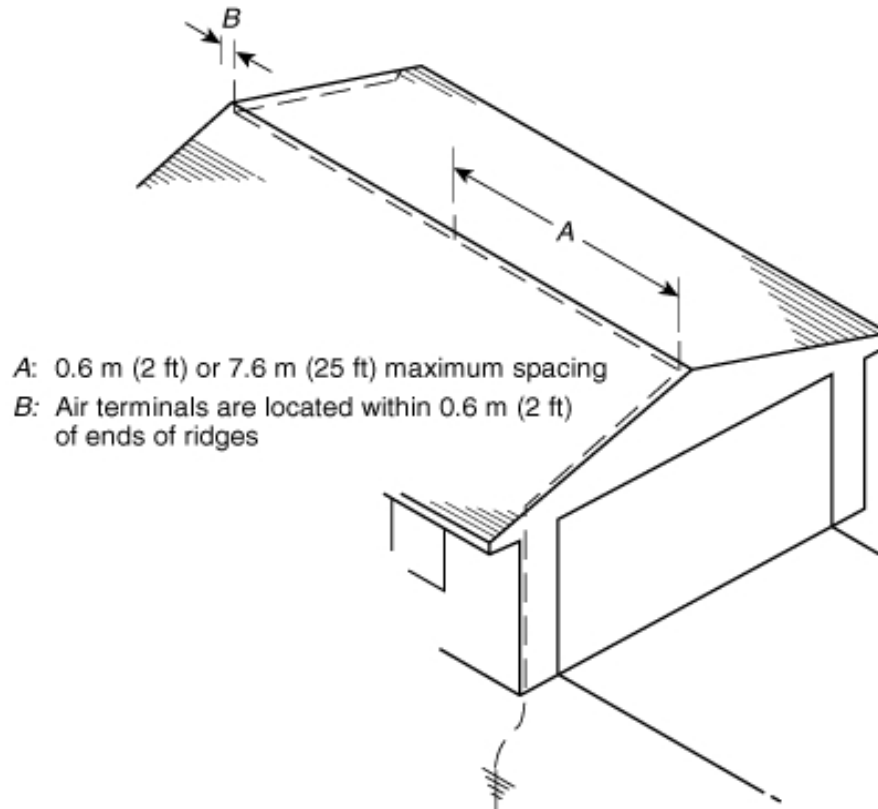


FIGURE 4.8.2 Air Terminals on Pitched Roof.

4.8.2.1 Strike termination devices shall be placed on ridges of pitched roofs and around the perimeter of flat or gently sloping roofs at intervals not exceeding 6 m (20 ft).

4.8.2.2 Strike termination devices 600 mm (24 in.) or more above the object or area to be protected shall be permitted to be placed at intervals not exceeding 7.6 m (25 ft).

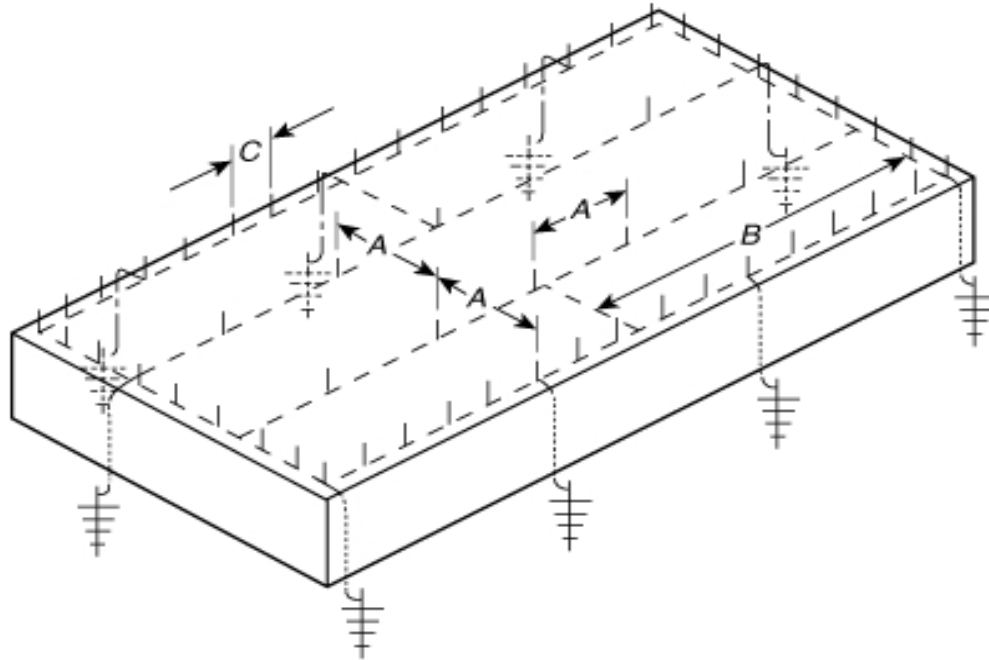
4.8.2.3 Pitched Roof Area.

(A) A pitched roof with eave heights of 15 m (50 ft) or less above grade shall require protection for the ridge only where there is no horizontal portion of the building that extends beyond the eaves, other than a gutter.

(B) Pitched roofs with eave heights more than 15 m (50 ft) shall have strike termination devices located according to the 46 m (150 ft) geometric model. [See [Figure 4.7.3.1\(B\)](#) and [Figure 4.7.3.3.](#)]

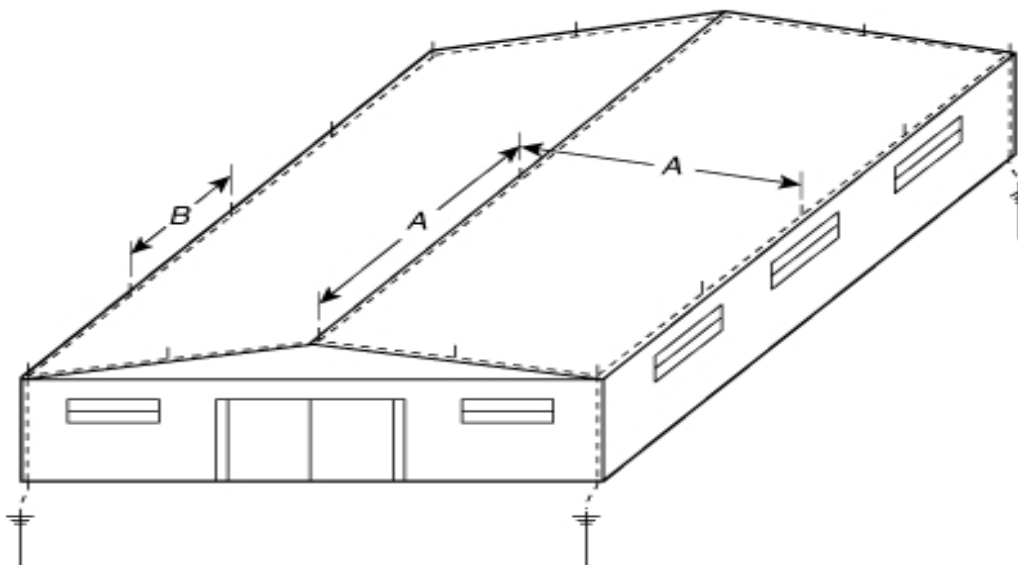
4.8.2.4 Flat or Gently Sloping Roof Area. Flat or gently sloping roofs that exceed 15 m (50 ft) in width or length shall have additional strike termination devices located at intervals not to exceed 15 m (50 ft) on the flat or gently sloping areas, as shown in [Figure 4.8.2.4\(a\)](#) and [Figure 4.8.2.4\(b\)](#), or such

area can also be protected using taller air terminals that create zones of protection using the rolling sphere model so the sphere does not contact the flat roof area.



- A: 15 m (50 ft) maximum spacing between air terminals
- B: 45 m (150 ft) maximum length of cross run conductor permitted without a connection from the cross run conductor to the main perimeter or down conductor
- C: 6 m (20 ft) or 7.6 m (25 ft) maximum spacings between air terminals along edge

FIGURE 4.8.2.4(a) Air Terminals on Flat Roof.



- A: 15 m (50 ft) maximum spacing
- B: 6 m (20 ft) or 7.6 m (25 ft) maximum spacing

FIGURE 4.8.2.4(b) Air Terminals on Gently Sloping Roof.**4.8.3* Dormers.**

4.8.3.1 Dormers as high or higher than the main roof shall be protected with strike termination devices, conductors, and grounds, where required.

4.8.3.2 Dormers and projections below the main ridge shall require protection only on those areas extending outside a zone of protection.

4.8.4 Roofs with Intermediate Ridges. Strike termination devices shall be located along the outermost ridges of buildings that have a series of intermediate ridges at the same intervals as required by [4.8.2](#).

4.8.4.1 Strike termination devices shall be located on the intermediate ridges in accordance with the requirements for the spacing of strike termination devices on flat or gently sloping roofs.

4.8.4.2 If any intermediate ridge is higher than the outermost ridges, it shall be treated as a main ridge and protected according to [4.8.2](#).

4.8.5 Flat or Gently Sloping Roofs with Irregular Perimeters. Structures that have exterior wall designs that result in irregular roof perimeters shall be treated on an individual basis.

4.8.5.1 The outermost projections form an imaginary roof edge that shall be used to locate the strike termination devices in accordance with [4.8.2](#).

4.8.5.2 In all cases, however, strike termination devices shall be located in accordance with Section [4.8](#), as shown in [Figure 4.8.5.2](#).

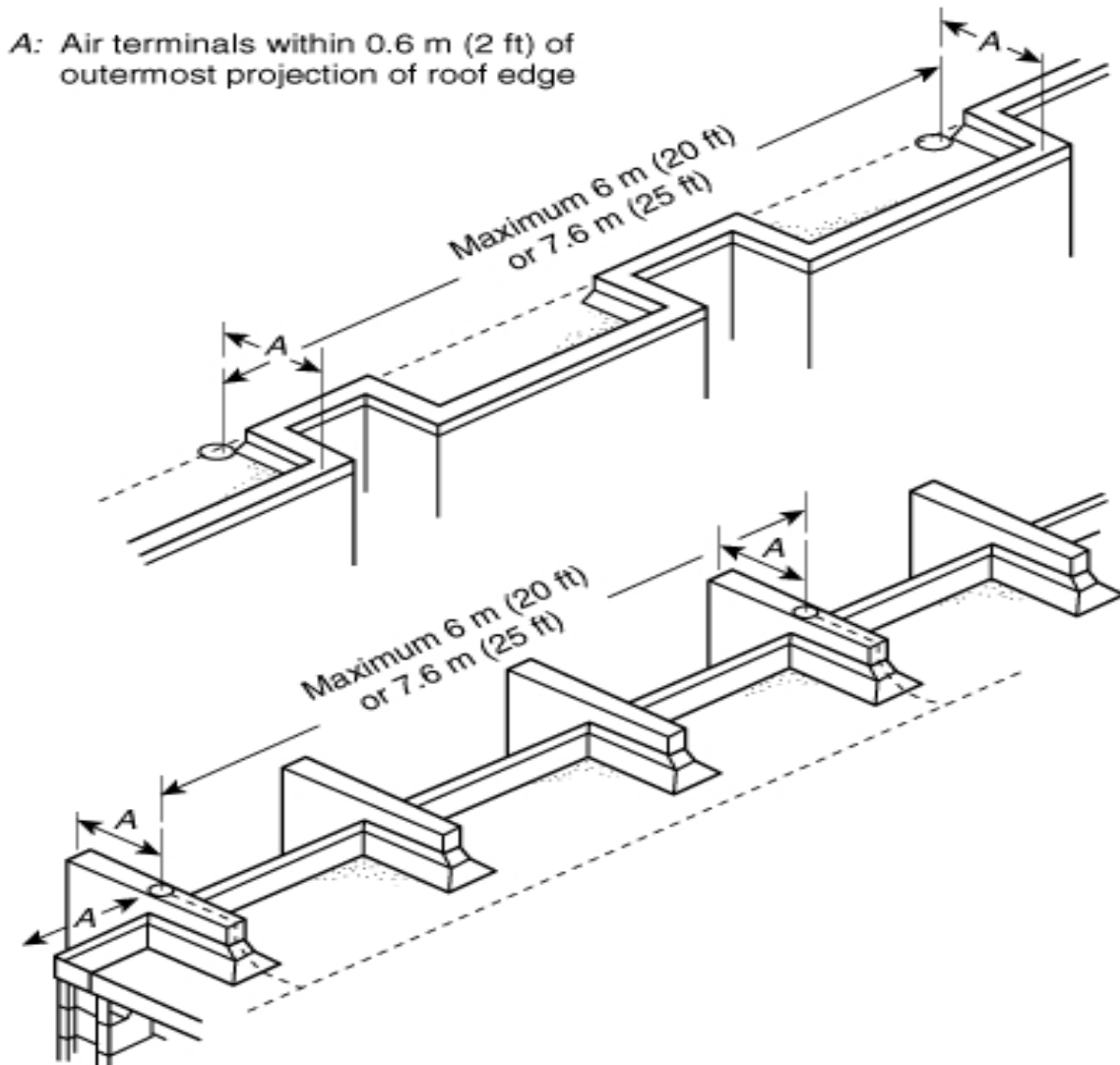
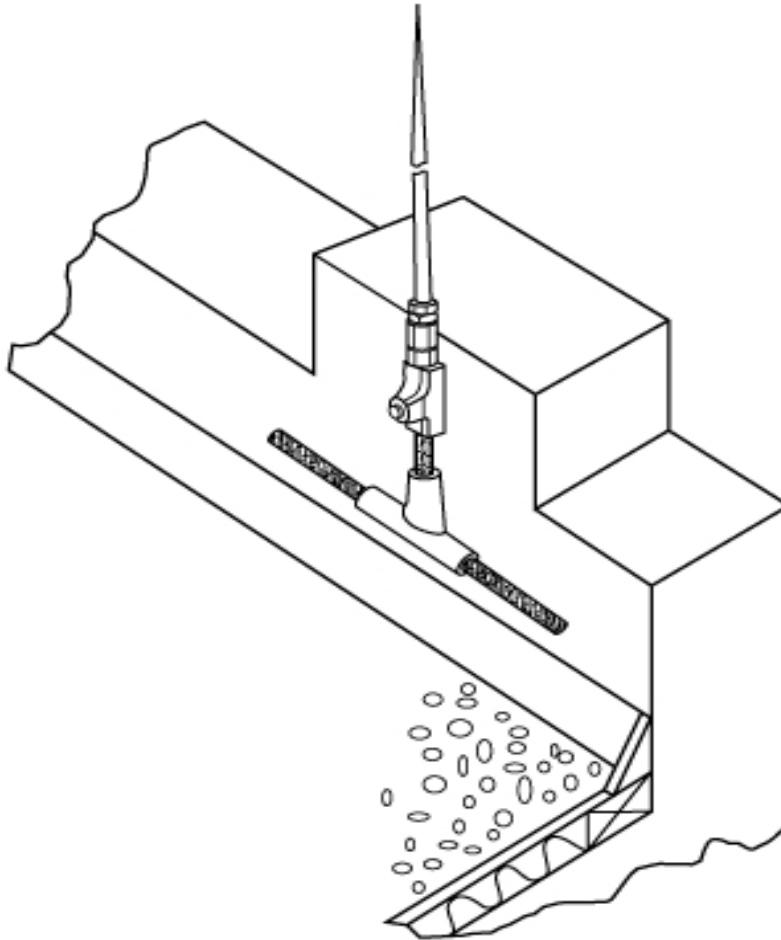


FIGURE 4.8.5.2 Flat or Gently Sloping Roof with Irregular Perimeter.

4.8.5.3 Strike termination devices installed on vertical roof members shall be permitted to use a single main-size cable to connect to a main roof conductor.

4.8.5.4 The main roof conductor shall be run adjacent to the vertical roof members so that the single cable from the strike termination device is as short as possible and in no case longer than 4.9 m (16 ft).

4.8.5.5 The connection of the single cable to the down conductor shall be made with a tee splice, as shown in [Figure 4.8.5.5](#).



Note: Air terminal tip configurations can be sharp or blunt.

FIGURE 4.8.5.5 Irregular Roof Perimeter.

NEXT CHAPTER

4.8.6 Open Areas in Flat Roofs. The perimeter of open areas, such as light or mechanical wells, shall be protected if the open area perimeter exceeds 92 m (300 ft), provided both rectangular dimensions exceed 15 m (50 ft).

4.8.7 Domed or Rounded Roofs. Strike termination devices shall be located so that no portion of the structure is located outside a zone of protection, based on a striking distance of 45 m (150 ft), as set forth in Section 4.8.

4.8.8 Chimneys and Vents. Strike termination devices shall be required on all chimneys and vents that are not located within a zone of protection, including metal chimneys having a metal thickness of less than 4.8 mm ($\frac{3}{16}$ in.).

4.8.8.1 Chimneys or vents with a metal thickness of 4.8 mm ($\frac{3}{16}$ in.) or more shall require only a connection to the lightning protection system.

4.8.8.2 The connection for 4.8.8.1 shall be made using a main-size lightning conductor and a bonding device that has a surface contact area of not less than 1940 mm² (3 in.²) and shall provide two or more paths to ground, as is required for strike termination devices.

4.8.8.3 Required strike termination devices shall be installed on chimneys and vents, as shown in Figure 4.8.8.3, so that the distance from a strike termination device to an outside corner or the distance perpendicular to an outside edge shall be not greater than 0.6 m (2 ft).

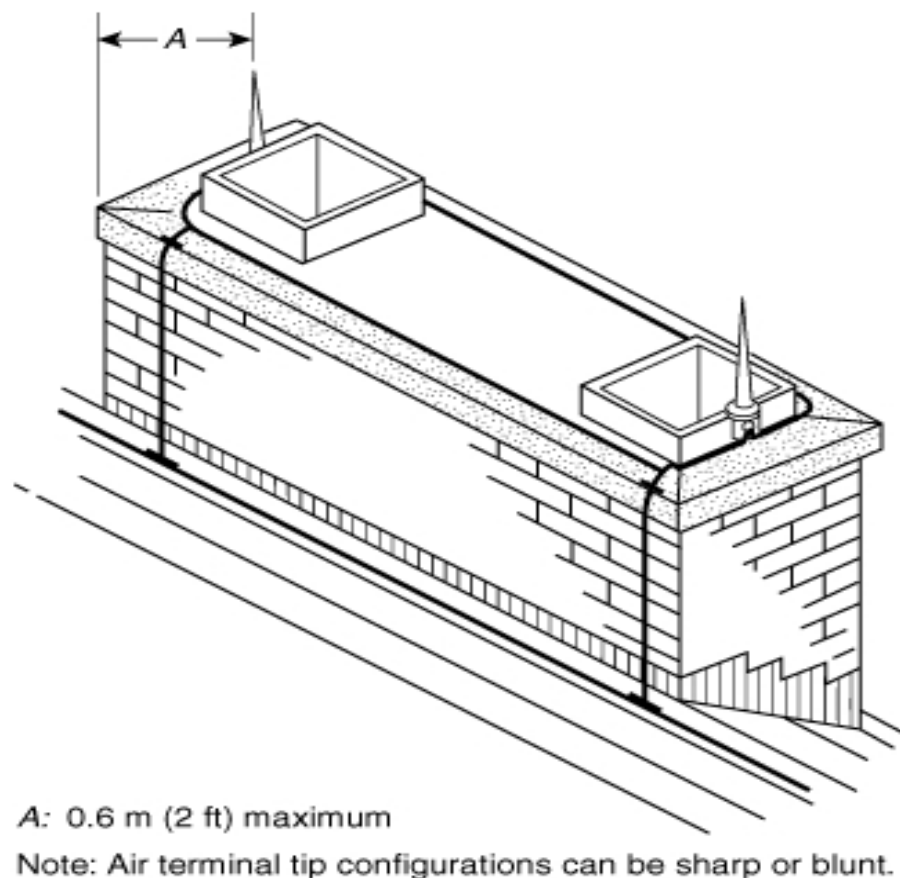


FIGURE 4.8.8.3 Air Terminals on Chimney.

4.8.8.4 Where only one strike termination device is required on a chimney or vent, at least one main-size conductor shall connect the strike termination device to a main conductor at the location where the chimney or vent meets the roof surface and provides two or more paths to ground from that location in

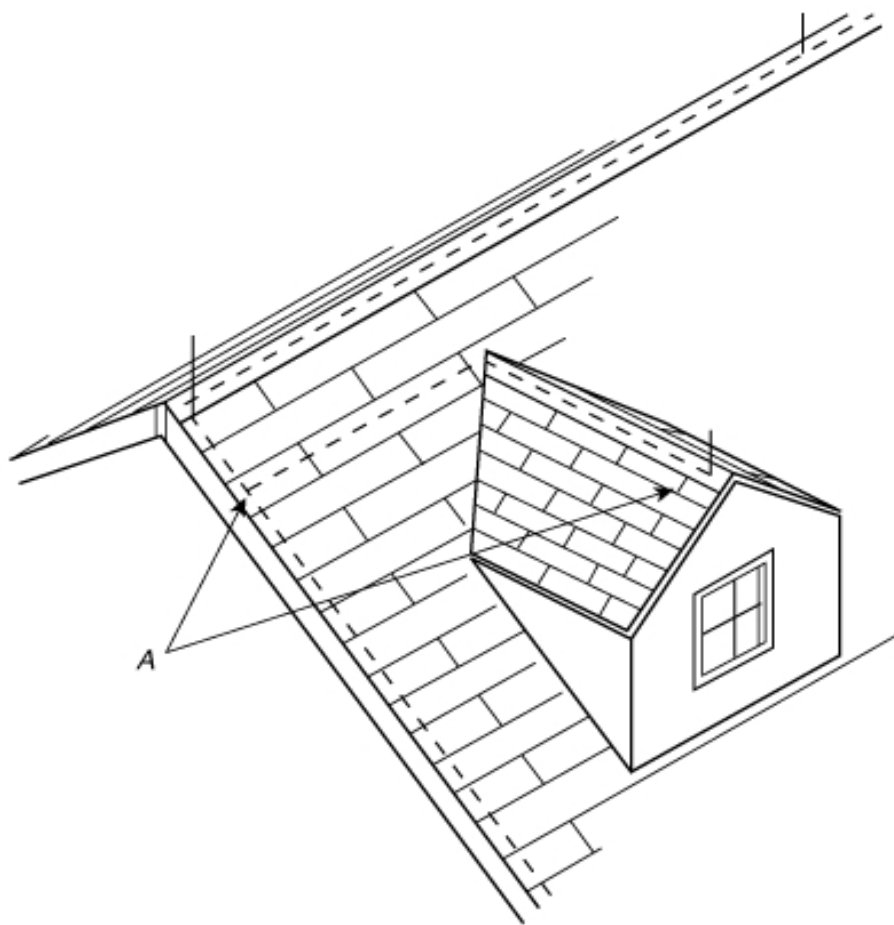
accordance with Section [4.9](#) and [4.9.2](#).

4.9 Conductors.

Main conductors shall interconnect all strike termination devices and shall form two or more paths from each strike termination device downward, horizontally, or rising at no more than $\frac{1}{4}$ pitch to connections with ground terminals, except as permitted by [4.9.1](#) and [4.9.2](#).

4.9.1 One-Way Path. Strike termination devices on a lower roof level that are interconnected by a conductor run from a higher roof level shall require only one horizontal or downward path to ground, provided the lower level roof conductor run does not exceed 12 m (40 ft).

4.9.2 Dead Ends. Strike termination devices shall be permitted to be “dead ended,” as shown in [Figure 4.9.2](#), with only one path to a main conductor on roofs below the main protected level, provided the conductor run from the strike termination device to a main conductor is not more than 4.9 m (16 ft) in total length and maintains a horizontal or downward coursing.



A: Permissible dead-end total conductor length not over 4.9 m (16 ft)

FIGURE 4.9.2 Dead End.

4.9.3 Substitution of Metals.

4.9.3.1 Metal parts of a structure, such as eave troughs, downspouts, ladders, chutes, or other metal parts, shall not be substituted for the main lightning conductor.

4.9.3.2 Permanent metal handrails and ladders that are electrically continuous shall be permitted to be substituted for main conductors where the minimum thickness is 1.63 mm (0.064 in.)

4.9.3.3 Likewise, metal roofing or siding having a thickness of less than 4.8 mm ($\frac{3}{16}$ in.) shall not be substituted for main lightning conductors.

4.9.4 “U” or “V” Pockets.

4.9.4.1 Conductors shall maintain a horizontal or downward coursing free from “U” or “V” (down and up) pockets.

4.9.4.2 Such pockets, often formed at low-positioned chimneys, dormers, or other projections on sloped roofs or at parapet walls, shall be provided with a down conductor from the base of the pocket to ground or to an adjacent downlead conductor, as shown in [Figure 4.9.4.2](#).

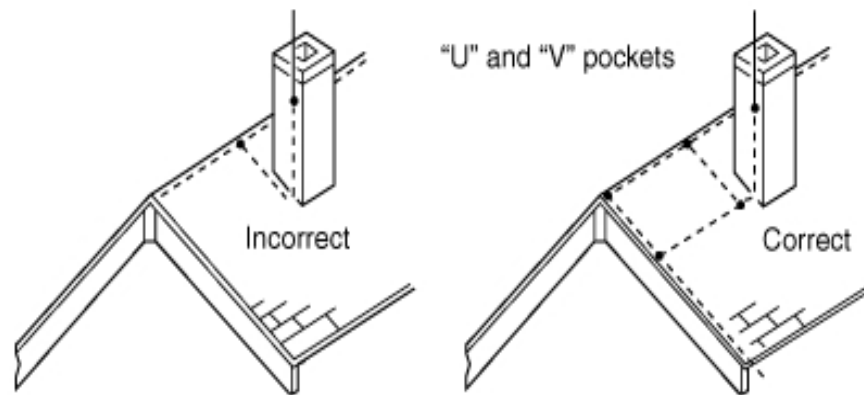


FIGURE 4.9.4.2 Pockets.

4.9.5 Conductor Bends. No bend of a conductor shall form an included angle of less than 90 degrees, nor shall it have a radius of bend less than 203 mm (8 in.), as shown in [Figure 4.9.5](#).

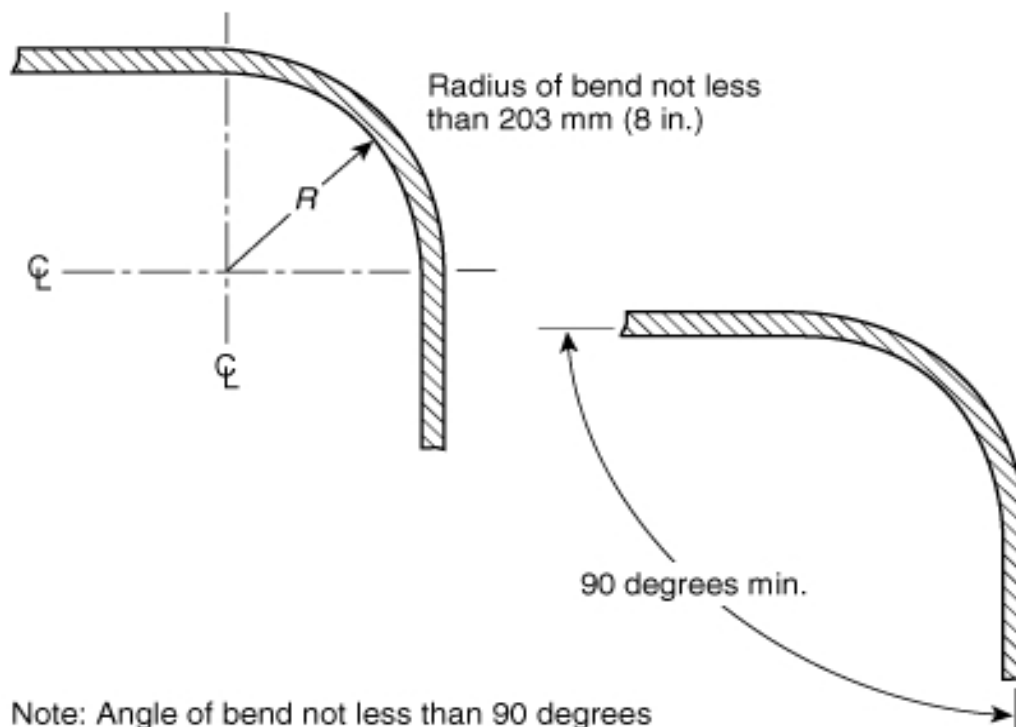


FIGURE 4.9.5 Conductor Bends.

4.9.6 Conductor Supports.

4.9.6.1 Conductors shall be permitted to be coursed through air without support for a distance of 0.9 m (3 ft) or less.

4.9.6.2 Conductors that must be coursed through air for distances longer than those of [4.9.6.1](#) shall be provided with a positive means of support that will prevent damage or displacement of the conductor.

4.9.7 Roof Conductors.

4.9.7.1 Roof conductors shall be coursed along ridges of gable, gambrel, and hip roofs; around the perimeter of flat roofs; behind or on top of parapets; and across flat or gently sloping roof areas as required to interconnect all strike termination devices.

4.9.7.2 Conductors shall be coursed through or around obstructions (e.g., cupolas and ventilators) in a horizontal plane with the main conductor.

4.9.8 Cross-Run Conductors. Cross-run conductors (main conductors) shall be required to interconnect the strike termination devices on flat or gently sloping roofs that exceed 15 m (50 ft) in width.

4.9.8.1 For example, roofs from 15 m to 30 m (50 ft to 100 ft) in width shall require one cross-run conductor, roofs 30 m to 46 m (100 ft to 150 ft) in width shall require two cross-run conductors, and so on.

4.9.8.2 Cross-run conductors shall be connected to the main perimeter cable at intervals not exceeding 46 m (150 ft), as shown in [Figure 4.8.2.4\(a\)](#).

4.9.9 Down Conductors.

4.9.9.1 Down conductors shall be as widely separated as practicable.

4.9.9.2 The location of down conductors shall depend on considerations such as the following:

- (1) Placement of strike termination devices
- (2) Most direct coursing of conductors
- (3) Earth conditions
- (4) Security against displacement
- (5) Location of large metallic bodies
- (6) Location of underground metallic piping systems

4.9.10 Number of Down Conductors. At least two down conductors shall be provided on any kind of structure, including steeples.

4.9.10.1 Structures exceeding 76 m (250 ft) in perimeter shall have a down conductor for every 30 m (100 ft) of perimeter or fraction thereof.

4.9.10.2 The total number of down conductors on structures having flat or gently sloping roofs shall be such that the average distance between all down conductors does not exceed 30 m (100 ft).

4.9.10.3 Irregular-shaped structures shall have additional down conductors as necessary to provide a two-way path from each strike termination device.

4.9.10.4 For a flat or gently sloping roof structure, only the perimeter of the roof areas requiring protection shall be measured.

4.9.10.5 When determining the perimeter of a pitched roof structure, the horizontal projection (footprint) of the protected roof shall be measured as shown in [Figure 4.9.10.5](#).

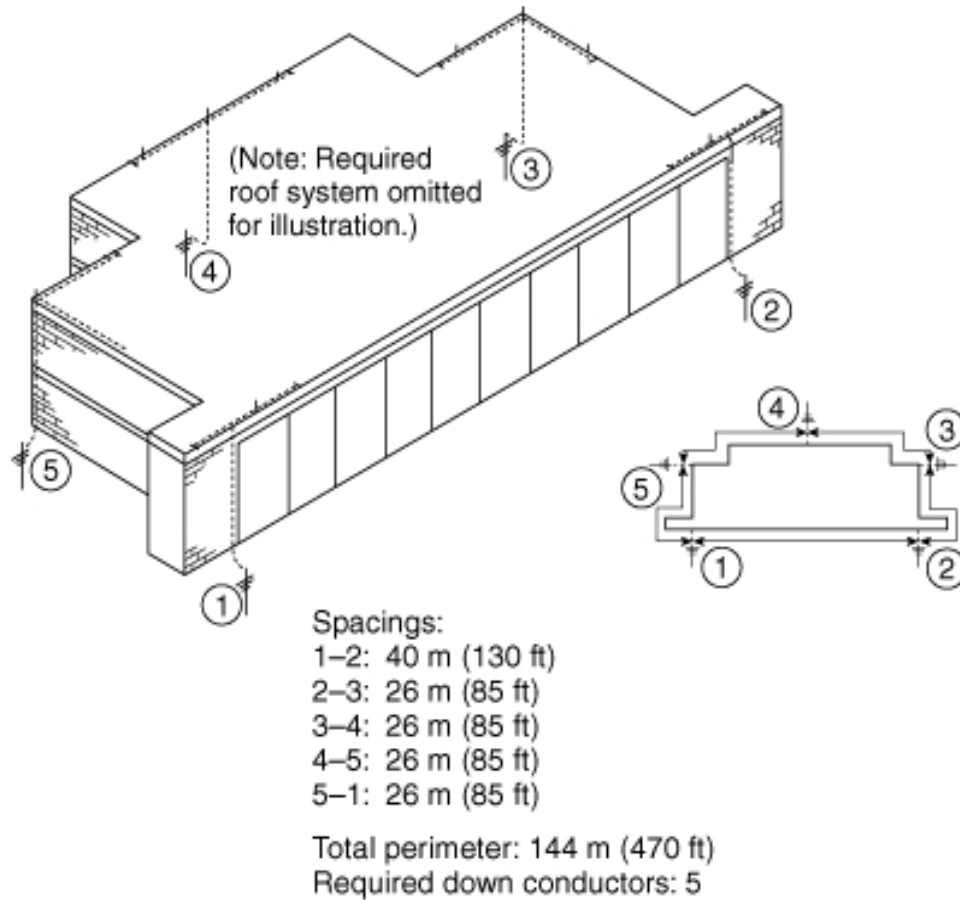


FIGURE 4.9.10.5 Quantity of Down Conductors.

NEXT CHAPTER

4.9.10.6 Lower roofs or projections that are located within a zone of protection shall not be required to be included in the perimeter measurement.

4.9.11 Protecting Down Conductors. Down conductors located in runways, driveways, school playgrounds, cattle yards, public walks, or other locations subject to physical damage or displacement shall be guarded.

4.9.11.1 Metallic guards shall be bonded at each end.

4.9.11.2 The down conductor shall be protected for a minimum distance of 1.8 m (6 ft) above grade level.

4.9.12 Down Conductors Entering Corrosive Soil. Down conductors entering corrosive soil shall be protected against corrosion by a protective covering beginning at a point 0.9 m (3 ft) above grade level and extending for their entire length below grade.

4.9.13 Down Conductors and Structural Columns. Down conductors coursed on or in reinforced concrete columns or on structural steel columns shall be connected to the reinforcing steel or the structural steel member at their upper and lower extremities.

4.9.13.1 In the case of long vertical members, an additional connection shall be made at intervals not exceeding 60 m (200 ft).

4.9.13.2 The connections for [4.9.13.1](#) shall be made using listed clamps or listed bonding plates or by welding or brazing.

4.9.13.3 Where the bonding requirements of [4.9.13.1](#) and [4.9.13.2](#) are not satisfied, provisions shall be made to ensure the required interconnection of these parallel vertical paths.

4.9.14 Down Conductors in Nonmetallic Enclosures. The use of PVC conduit or other nonmetallic chase shall not eliminate the need to satisfy the bonding requirements of Sections [4.19](#), [4.20](#), and [4.21](#).

4.10 Conductor Fasteners.

Conductors shall be fastened to the structure upon which they are placed at intervals not exceeding 0.9 m (3 ft).

4.10.1 Attached by nails, screws, bolts, or adhesives as necessary, the fasteners shall not be subject to breakage and shall be of the same material as the conductor or of a material equally resistant to corrosion as that of the conductor.

4.10.2 No combination of materials shall be used that will form an electrolytic couple of such a nature that, in the presence of moisture, corrosion will be accelerated.

4.11 Masonry Anchors.

Masonry anchors used to attach lightning protection materials shall have a minimum outside diameter of 6.4 mm ($\frac{1}{4}$ in.).

4.11.1 Holes made to receive the body of the anchor shall be of the correct size, made in the brick, stone, or other masonry unit rather than in mortar joints.

4.11.2 Where the anchors are installed, the fit shall be tight against moisture, thus reducing the possibility of damage due to freezing.

4.12 Connector Fittings.

Connector fittings shall be used at all “end-to-end,” “tee,” or “Y” splices of lightning conductors.

4.12.1 Fittings shall be attached so as to withstand a pull test of 890 N (200 lb).

4.12.2 Fittings used for required connections to metal bodies in or on a structure shall be secured to the metal body by bolting, brazing, welding, or using high-compression connectors listed for the purpose.

4.12.3 Conductor connections shall be of the bolted, welded, high compression, or crimp type.

4.12.4 Crimp-type connections shall not be used with Class II conductors.

4.13 Ground Terminals.

4.13.1 General.

4.13.1.1 Each down conductor shall terminate at a ground terminal dedicated to the lightning protection system.

4.13.1.2 The design, size, depth, and number of ground terminals used shall comply with [4.13.2](#) through [4.13.5](#).

4.13.1.3 Electrical system and telecommunication grounding electrodes shall not be used in lieu of lightning ground electrodes; this provision shall not prohibit the required bonding together of grounding electrodes of different systems.

4.13.1.4 The down conductor(s) shall be attached permanently to the grounding electrode system by bolting, brazing, welding, or high-compression connectors listed for the purpose, and clamps shall be suitable for direct burial.

4.13.1.5 Ground terminals shall be copper-clad steel, solid copper, hot-dipped galvanized steel, or stainless steel.

4.13.1.6 Ground electrodes shall be installed below the frost line where possible (excluding shallow topsoil conditions).

[4.13.2*](#) Ground Rods.

4.13.2.1 Ground rods shall be not less than 12.7 mm (½ in.) in diameter and 2.4 m (8 ft) long.

4.13.2.2 Rods shall be free of paint or other nonconductive coatings.

4.13.2.3 Ground Rod Depth.

(A) The ground rods shall extend vertically not less than 3 m (10 ft) into the earth.

(B) The earth shall be compacted and made tight against the length of the conductor or ground rod, as illustrated in [Figure 4.13.2.3\(B\)](#).

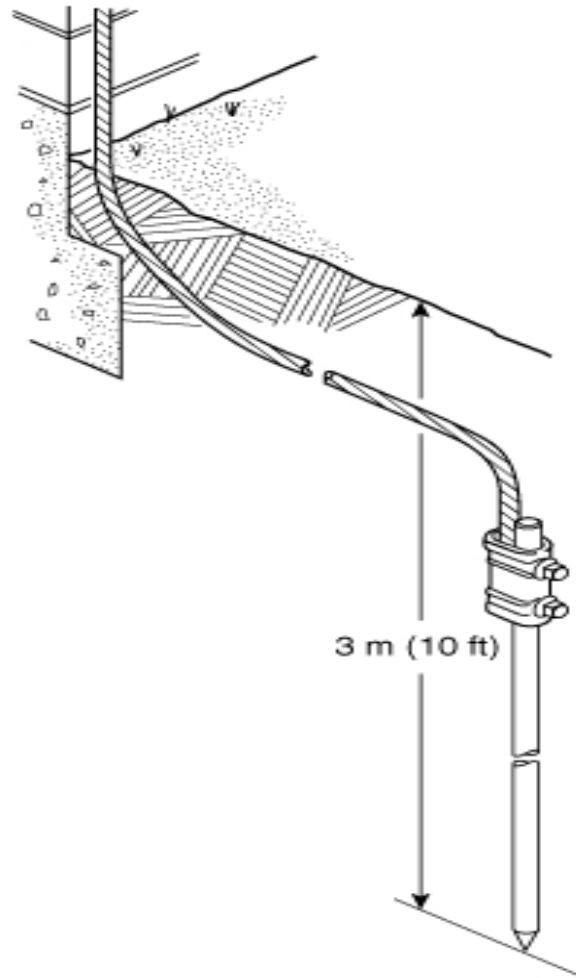


FIGURE 4.13.2.3(B) Typical Single Ground Rod Installation.

4.13.2.4* Multiple Ground Rods. Where multiple connected ground rods are used, the separation between any two ground rods shall be at least the sum of their lengths where practicable.

4.13.3 Concrete-Encased Electrodes. Concrete-encased electrodes shall be used only in new construction.

4.13.3.1 The electrode shall be located near the bottom of a concrete foundation or footing that is in direct contact with the earth and shall be encased by not less than 50 mm (2 in.) of concrete.

4.13.3.2 The encased electrode shall consist of one of the following:

- (1) Not less than 6 m (20 ft) of bare copper main-size conductor
- (2) At least 6 m (20 ft) of one or more steel reinforcing bars or rods not less than 12.7 mm ($\frac{1}{2}$ in.) in diameter that have been effectively bonded together by either welding or overlapping 20 diameters and wire-tying

4.13.4 Ground Ring Electrode. A ground ring electrode encircling a structure shall be as shown in [Figure 4.13.4](#), in direct contact with earth at a depth of not less than 460 mm (18 in.) or encased in a concrete footing in accordance with [4.13.3](#).

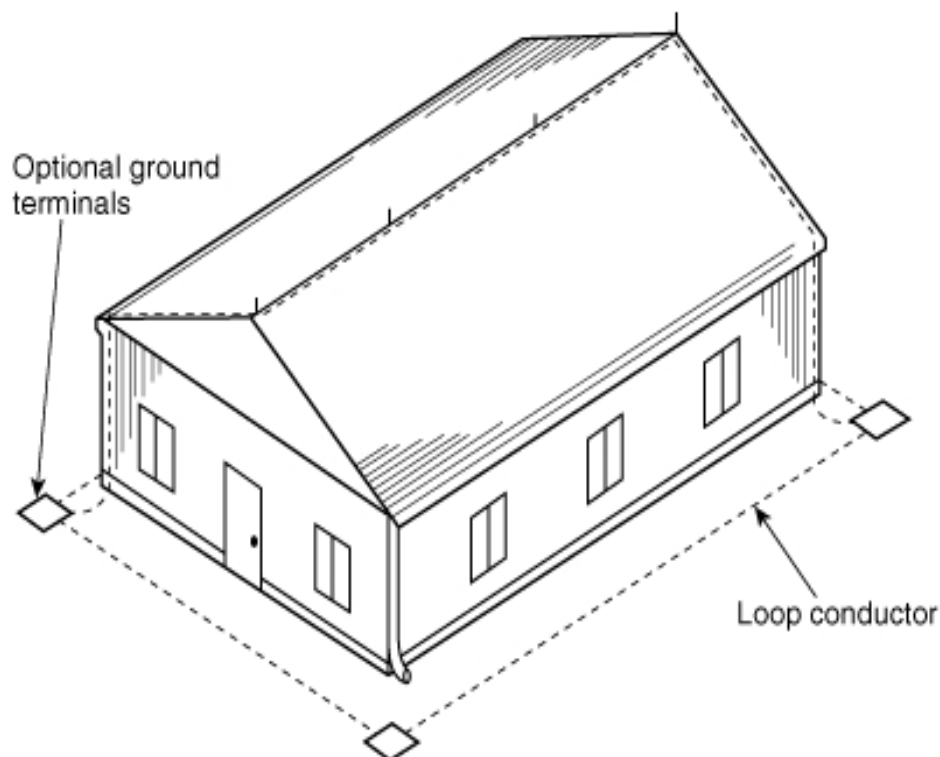


FIGURE 4.13.4 Typical Ground Ring Electrode Installation.

4.13.4.1 The encased electrode shall consist of not less than 6 continuous m (20 continuous ft) of bare copper main-size conductor.

4.13.4.2 The ground ring electrode shall be a main-size lightning conductor.

4.13.5* Radials.

4.13.5.1 A radial electrode system shall consist of one or more main-size conductors, each in a separate trench extending outward from the location of each down conductor.

4.13.5.2 Each radial electrode shall be not less than 3.6 m (12 ft) in length and not less than 460 mm (18 in.) below grade and shall diverge at an angle not greater than 90 degrees.

4.13.6* Plate Electrode or Ground Plate.

4.13.6.1 A ground plate or plate electrode shall have a minimum thickness of 0.8 mm (0.032 in.) and a minimum surface area of 0.18 m² (2 ft²).

4.13.6.2 The plate shall be buried not less than 460 mm (18 in.) below grade.

4.13.7 Combinations. Combinations of the grounding terminals in Section 4.13 shall be permitted.

4.13.8 Ground Terminal Selection Criteria. The site limitations and soil conditions shall determine the selection of the type or combinations of types of ground terminals used.

4.13.8.1* Shallow Topsoil. The methods in 4.13.3 through 4.13.6 shall be used in shallow topsoil conditions.

4.13.8.1.1 Where the methods described in 4.13.3 through 4.13.6 are found to be impractical, due to topsoil depth less than 0.3 m (1 ft), it shall be permitted to route a main-sized conductor in trenches of a depth of 0.3 m (1 ft) to 0.6 m (2 ft) in clay soil or 0.6 m (2 ft) in sandy or gravelly soil.

4.13.8.1.2 Where the protection of 4.13.8.1.1 is impossible, the conductor shall be permitted to be laid directly on bedrock a minimum distance of 0.6 m (2 ft) from the foundation or exterior footing.

4.13.8.1.3 The cable shall terminate by attachment to a buried copper ground plate at least 0.8 mm (0.032 in.) thick and having a minimum surface area of 0.18 m² (2 ft²).

4.13.8.1.4 Where the method of [4.13.8.1.3](#) is impossible, the conductor shall be permitted to be laid directly on bedrock a minimum distance of 0.6 m (2 ft) from the foundation or exterior footing.

4.13.8.1.5 In those cases where the grounding conductor is laid directly on bedrock, the conductor shall be secured to the bedrock every 0.9 m (3 ft) by nailing, conductive cement, or a conductive adhesive to ensure electrical contact and protect against movement.

4.13.8.2 Sandy Soil Conditions. Because sandy or gravelly soil conditions are characterized by high soil resistivity, multiple ground electrodes shall be used to augment the lightning grounding terminal system.

4.14 Common Grounding.

4.14.1 General. All grounding media in or on a structure shall be interconnected to provide a common ground potential.

4.14.1.1 This interconnection shall include lightning protection, electric service, telephone, and antenna system grounds, as well as underground metallic piping systems.

4.14.1.2 Underground metallic piping systems shall include water service, well casings located within 7.6 m (25 ft) of the structure, gas piping, underground conduits, underground liquefied petroleum gas piping systems, and so on.

4.14.1.3 Interconnection to a gas line shall be made on the customer's side of the meter.

4.14.1.4 Main-size lightning conductors shall be used for interconnecting these grounding systems to the lightning protection system.

4.14.2 Common Ground Bondings.

4.14.2.1 Where electric, community antenna television (CATV), data, telephone, or other systems are bonded to a metallic water pipe, only one connection from the lightning protection system to the water pipe system shall be required, provided that the water pipe is electrically continuous between all systems.

4.14.2.2 If the water pipe is not electrically continuous due to the use of plastic pipe sections or other reasons, the nonconductive sections shall be bridged with main-size conductors, or the connection shall be made at a point where electrical continuity is ensured.

4.15 Concealed Systems.

4.15.1 General.

4.15.1.1 Requirements covering exposed systems also shall apply to concealed systems, except conductors shall be permitted to be coursed under roofing materials, under roof framing, behind exterior wall facing, between wall studding, in conduit chases, or embedded directly in concrete or masonry construction.

4.15.1.2 Where a conductor is run in metal conduit, it shall be bonded to the conduit at the point where it enters the conduit and at the point where it emerges from the conduit and at all locations where the conduit is not electrically continuous.

4.15.2 Masonry Chimneys. Chimney strike termination devices and conductors shall be permitted to be concealed within masonry chimneys or to be attached to the exterior of masonry chimneys and routed through the structure to concealed main conductors.

4.15.3 Concealment in Steel-Reinforced Concrete. Conductors or other components of the lightning protection system concealed in steel-reinforced concrete units shall be connected to the reinforcing steel.

4.15.3.1 Concealed down conductors shall be connected to the vertical reinforcing steel in accordance with [4.9.13](#).

4.15.3.2 Roof conductors or other concealed horizontal conductor runs shall be connected to the reinforcing steel at intervals not exceeding 30 m (100 ft).

4.15.4 Ground Terminals. Ground terminals for concealed systems shall comply with Section [4.13](#).

4.15.4.1 Ground terminals located under basement slabs or in crawl spaces shall be installed as near as practicable to the outside perimeter of the structure.

4.15.4.2 Where rod or cable conductors are used for ground terminals, they shall be in contact with the earth for a minimum of 3 m (10 ft) and shall extend to a depth of not less than 3 m (10 ft) below finished grade, except as permitted by [4.13.4](#) and [4.13.5](#).

4.16 Structural Steel Systems.

4.16.1 General. The structural steel framework of a structure shall be permitted to be utilized as the main conductor of a lightning protection system if it is electrically continuous or is made electrically continuous.

4.16.2 Strike Termination Devices.

4.16.2.1 Strike termination devices shall be connected to the structural steel framing by direct connection, by use of individual conductors routed through the roof or parapet walls to the steel framework, or by use of an exterior conductor that interconnects all strike termination devices and that is connected to the steel framework.

4.16.2.2 Where such an exterior conductor is used, it shall be connected to the steel framework of the structure at intervals not exceeding 30 m (100 ft).

4.16.3 Connections to Framework. Conductors shall be connected to areas of the structural steel framework that have been cleaned to base metal, by use of bonding plates having a surface contact area of not less than 5200 mm² (8 in.²) or by welding or brazing.

4.16.3.1 Drilling and tapping the steel column to accept a threaded connector also shall be permitted.

4.16.3.2 The threaded device shall be installed with five threads fully engaged and secured with a jam nut.

4.16.3.3 The threaded portion of the connector shall be not less than 12.7 mm (½ in.) in diameter.

4.16.3.4 Bonding plates shall have bolt-pressure cable connectors and shall be bolted, welded, or brazed to the structural steel framework so as to maintain electrical continuity.

4.16.3.5 Where rust-protective paint or coating is removed, the base steel shall be protected with a conductive, corrosion-inhibiting coating.

4.16.4 Ground Terminals.

4.16.4.1 Ground terminals shall be connected to steel columns around the perimeter of the structure at intervals averaging not more than 18 m (60 ft).

4.16.4.2 Connections shall be made near the base of the column in accordance with the requirements in [4.16.3](#).

4.16.5 Bonding Connections. Where metal bodies located within a steel-framed structure are inherently bonded to the structure through the construction, separate bonding connections shall not be required.

4.17 Metal Antenna Masts and Supports.

Metal antenna masts or supports located on a protected structure shall be connected to the lightning protection system using main-size conductors and listed fittings unless they are within a zone of protection.

4.18 Surge Protection.

4.18.1* General. This section provides requirements for surge protection systems installed external to the facility electrical, CATV, alarm, data, or other electrical system hardware. The requirements included within this standard are limited to permanently installed surge protective devices (SPDs).

4.18.2* Surge Protection Requirements.

4.18.2.1 SPDs shall be installed at all power service entrances.

4.18.2.2* SPDs shall be installed at entrances of conductive signal, data, and communication services.

4.18.2.3 SPDs shall be installed at all points where an electrical or electronic system conductor leaves a structure to supply another structure if the conductors or cables are run over 30 m (100 ft) and are not buried or enclosed in grounded metal conduit or tubing.

4.18.2.4 Surge protection shall be permitted for installation at subpanels or branch panels and at the point of utilization (receptacle or signal termination; also termed *supplementary protection*).

4.18.2.5* SPDs shall not be required where, under engineering supervision, it is determined that surge threat is negligible or the lines are equivalently protected or where installation compromises safety.

4.18.3 Surge Threat Levels.

4.18.3.1* Electrical Power Circuits. The SPD shall protect against a surge produced by a 1.2/50, 8/20 combination waveform generator. SPDs shall function at their rated maximum discharge current (I_{max}) without failure. SPDs at the service entrance shall have an I_{max} rating of at least 40 kA 8/20 per phase.

4.18.3.2 Signal, Data, and Communication Protection. SPDs shall be listed for the protection of signal, data, and communications systems and shall have an I_{max} rating of at least 10 kA 8/20 or greater when installed at the entrance.

4.18.4* SPD's Measured Limiting Voltage. Where an SPD has been listed as a transient voltage surge suppressor (TVSS), the declared suppressed voltage rating (SVR) for each mode of protection shall be selected to be no greater than those given in [Table 4.18.4](#) for the different power distribution systems to which they can be connected.

Table 4.18.4 Maximum Allowed Suppressed Voltage Ratings per Mode of Protection Provide Different Power Distribution Systems to Which the SPD May Be Connected

Power Distribution System	Line-to-Neutral	Line-to-Ground	Neutral-to-Ground	Line-Lin
120 2W + ground	500	500	500	
240 2W + ground	1000	1000	1000	
120/240 3W + ground	500	500	500	100
120/208 WYE 4W + ground	500	500	500	100
277/480 WYE 4W + ground	1000	1000	1000	150
277/480 WYE 4W + HRG (high resistance ground)				150
347/600 WYE 4W + ground	1500	1500	1500	200
240 DELTA 3W (ungrounded)				100
480 DELTA 3W (ungrounded)				150

240 DELTA 3W + ground (corner grounded)	1000	100
480 DELTA 3W + ground (corner grounded)	1500	150

4.18.5* Facility ac Surge Protection.

4.18.5.1 The short circuit current rating of the SPD shall be coordinated with the available fault current rating of the supply (panel) to which it is connected in accordance with NFPA 70, *National Electrical Code*.

4.18.5.2 The maximum continuous operating voltage (MCOV) of the SPD shall be selected to ensure that it is greater than the upper tolerance of the utility power system to which it is connected.

4.18.5.3 The SPD shall be listed for the protection of service entrances.

4.18.5.4 SPDs at grounded service entrances shall be wired in a line-to-ground (L-G) or line-to-neutral (L-N) configuration.

4.18.5.4.1 Additional modes, line-to-line (L-L), or neutral-to-ground (N-G) shall be permitted at the service entrance.

4.18.5.4.2 For services without a neutral, SPD elements shall be connected line-to-ground (L-G). Additional line-to-line (L-L) connections shall also be permitted.

4.18.6 Signal, Data, and Communications Surge Protection.

4.18.6.1* SPDs shall be provided for all signal, data, and communication lines at facility entrances.

4.18.6.2 SPDs shall be selected taking into consideration aspects such as the frequency, bandwidth, and voltage of the signal, data, or other telecommunication lines, and ensuring the insertion losses (attenuation) introduced by the SPD(s) are within acceptable operational limits.

4.18.6.3 SPDs protecting signal, data, and communications systems shall be grounded.

4.18.6.3.1 The SPD shall also be bonded to the point of grounding of the electrical service.

4.18.6.3.2 If this point is greater than 6 m (20 ft) away, a supplementary earth electrode or electrode system shall be installed at the SPD location.

4.18.6.3.3 Where provided, a supplementary earth electrode, or electrode system, shall be electrically bonded to the facility's main ground electrode system in compliance with NFPA 70, *National Electrical Code*.

4.18.6.3.4 SPDs shall not be grounded through a down conductor of the lightning protection system.

4.18.6.3.5* SPDs for data and signal line protection shall provide common mode protection.

4.18.7 Installation.

4.18.7.1 Installation of surge suppression hardware shall conform to the requirements of NFPA 70, *National Electrical Code*.

4.18.7.2* SPDs shall be located and installed so as to minimize lead length. Interconnecting leads shall be routed so as to avoid sharp bends or kinks.

4.18.7.3 The SPD grounding conductor shall be installed in accordance with the manufacturer's instructions.

4.18.7.4* All SPD components shall be accessible for inspection and maintenance.

4.18.8* Earth Grounding Electrode. Resistance of the earth electrode system used in the grounding of SPDs shall comply with NFPA 70, *National Electrical Code*.

4.18.9 Physical Characteristics.

4.18.9.1 The SPDs shall be protected with consideration for the operational environment and according to the manufacturer's instructions.

4.18.9.2 Enclosures and other ancillary equipment shall be listed for the purpose.

4.19* Metal Bodies.

Metal bodies, located outside or inside a structure, that contribute to lightning hazards because they are grounded or assist in providing a path to ground for lightning currents shall be bonded to the lightning

protection system in accordance with Sections [4.19](#), [4.20](#), and [4.21](#).

4.19.1 General. The factors in [4.19.1.1](#) through [4.19.1.4](#) shall determine the necessity of bonding a metal body to a lightning protection system.

4.19.1.1 Bonding shall be required if there is likely to be a sideflash between the lightning protection system and another grounded metal body.

4.19.1.2 The influence of a nongrounded metal body, such as a metal window frame in a nonconductive medium, is limited to its effectiveness as a short-circuit conductor if a sideflash occurs and, therefore, shall not necessarily require bonding to the lightning protection system.

4.19.1.3 Bonding distance requirements shall be determined by a technical evaluation of the number of down conductors and their location, the interconnection of other grounded systems, the proximity of grounded metal bodies to the down conductors, and the flashover medium (i.e., air or solid materials).

4.19.1.4 Metal bodies located in a steel-framed structure that are inherently bonded through construction shall not require further bonding.

4.19.2 Materials.

4.19.2.1 Horizontal loop conductors used for the interconnection of lightning protection system downlead conductors, ground terminals, or other grounded media shall be sized no smaller than that required for the main lightning conductor, as listed in [Table 4.1.1.1\(A\)](#) and [Table 4.1.1.1\(B\)](#).

4.19.2.2 Conductors used for the bonding of grounded metal bodies or isolated metal bodies requiring connection to the lightning protection system shall be sized in accordance with bonding conductor requirements in [Table 4.1.1.1\(A\)](#) and [Table 4.1.1.1\(B\)](#).

NEXT CHAPTER

4.20 Potential Equalization.

4.20.1* Ground-Level Potential Equalization.

4.20.1.1 All grounded media in and on a structure shall be connected to the lightning protection system within 3.6 m (12 ft) of the base of the structure in accordance with Section [4.14](#).

4.20.1.2 For structures exceeding 18 m (60 ft) in height, the interconnection of the lightning protection system ground terminals and other grounded media shall be in the form of a ground loop conductor.

4.20.2* Roof-Level Potential Equalization. For structures exceeding 18 m (60 ft) in height, all grounded media in or on the structure shall be interconnected within 3.6 m (12 ft) of the main roof level.

4.20.3 Intermediate-Level Potential Equalization. Intermediate-level potential equalization shall be accomplished by the interconnection of the lightning protection system down conductors and other grounded media at the intermediate levels between the roof and the base of a structure in accordance with [4.20.3\(A\)](#) through [4.20.3\(C\)](#).

(A) Steel-Framed Structures. Intermediate-loop conductors shall not be required for steel-framed structures where the framing is electrically continuous.

(B) Reinforced Concrete Structures Where the Reinforcement Is Interconnected and Grounded in Accordance with 4.15.3. The lightning protection system down conductors and other grounded media shall be interconnected with a loop conductor at intermediate levels not exceeding 60 m (200 ft).

(C) Other Structures. The lightning protection down conductors and other grounded media shall be interconnected with a loop conductor at intermediate levels not exceeding 18 m (60 ft).

4.21 Bonding of Metal Bodies.

4.21.1 Long, Vertical Metal Bodies. Long, vertical metal bodies shall be bonded in accordance with [4.21.1\(A\)](#) through [4.21.1\(C\)](#).

(A) Steel-Framed Structures. Grounded and ungrounded metal bodies exceeding 18 m (60 ft) in vertical length shall be bonded to structural steel members as near as practicable to their extremities unless inherently bonded through construction at these locations.

(B) Reinforced Concrete Structures Where the Reinforcement Is Interconnected and Grounded in Accordance with 4.15.3. Grounded and ungrounded metal bodies exceeding 18 m (60 ft) in vertical length shall be bonded to the lightning protection system as near as practicable to their extremities unless inherently bonded through construction at these locations.

(C) Other Structures. Bonding of grounded or ungrounded long, vertical metal bodies shall be determined by [4.21.2](#) and [4.21.3](#), respectively.

4.21.2 Grounded Metal Bodies. This subsection shall cover the bonding of grounded metal bodies not covered in [4.21.1](#).

4.21.2.1 Where grounded metal bodies have been connected to the lightning protection system at only one extremity, the formula shown in [4.21.2.4](#) or [4.21.2.5](#) shall be used to determine whether additional bonding is required.

4.21.2.2 Branches of grounded metal bodies connected to the lightning protection system at their extremities shall require bonding to the lightning protection system in accordance with the formula shown in [4.21.2.4](#) or [4.21.2.5](#) if they change vertical direction more than 3.6 m (12 ft).

4.21.2.3 Where such bonding has been accomplished either inherently through construction or by physical contact between electrically conductive materials, no additional bonding connection shall be required.

4.21.2.4 Structures More than 12 m (40 ft) in Height.

(A) Grounded metal bodies shall be bonded to the lightning protection system where located within a calculated bonding distance, D , as determined by the following formula:

$$D = \frac{h}{6n} \times K_m$$

where:

D = calculated bonding distance

h = vertical distance between the bond being considered and the nearest lightning protection system bond

n = a value related to the number of down conductors that are spaced at least 7.6 m (25 ft) apart; located within a zone of 30 m (100 ft) from the bond in question; and where bonding is required within 18 m (60 ft) from the top of any structure

$K_m = 1$ if the flashover is through air, or 0.50 if through dense material such as concrete, brick, wood, and so forth

(B) The value n shall be calculated as follows: $n = 1$ where there is only one down conductor in this zone; $n = 1.5$ where there are only two down conductors in this zone; $n = 2.25$ where there are three or more down conductors in this zone.

(C) Where bonding is required below a level 18 m (60 ft) from the top of a structure, n shall be the total number of down conductors in the lightning protection system.

4.21.2.5 Structures 12 m (40 ft) and Less in Height.

(A) Grounded metal bodies shall be bonded to the lightning protection system where located within a calculated bonding distance, D , as determined by the following formula:

$$D = \frac{h}{6n} \times K_m$$

where:

D = calculated bonding distance

h = either the height of the building or the vertical distance from the nearest bonding connection from the grounded metal body to the lightning protection system and the point on the down conductor where the bonding connection is being considered

n = a value related to the number of down conductors that are spaced at least 7.6 m (25 ft) apart and located within a zone of 30 m (100 ft) from the bond in question

$K_m = 1$ if the flashover is through air, or 0.50 if through dense material such as concrete, brick, wood, and so forth

(B) The value n shall be calculated as follows: $n = 1$ where there is only one down conductor in this zone; $n = 1.5$ where there are only two down conductors in this zone; $n = 2.25$ where there are three or more down conductors in this zone.

4.21.3* Isolated (Nongrounded) Metallic Bodies. An isolated metallic body, such as a metal window frame in a nonconducting medium, that is located close to a lightning conductor and to a grounded metal body will influence bonding requirements only if the total of the isolated distances between the lightning conductor and the isolated metal body, and between the isolated metal body and the grounded metal body is equal to or less than the calculated bonding distance. The effect shall be determined by [4.21.3.1](#).

4.21.3.1 The effect shall be determined by using [Figure 4.21.3.1](#) as according to either [4.21.3.1\(A\)](#) or [4.21.3.1\(B\)](#).

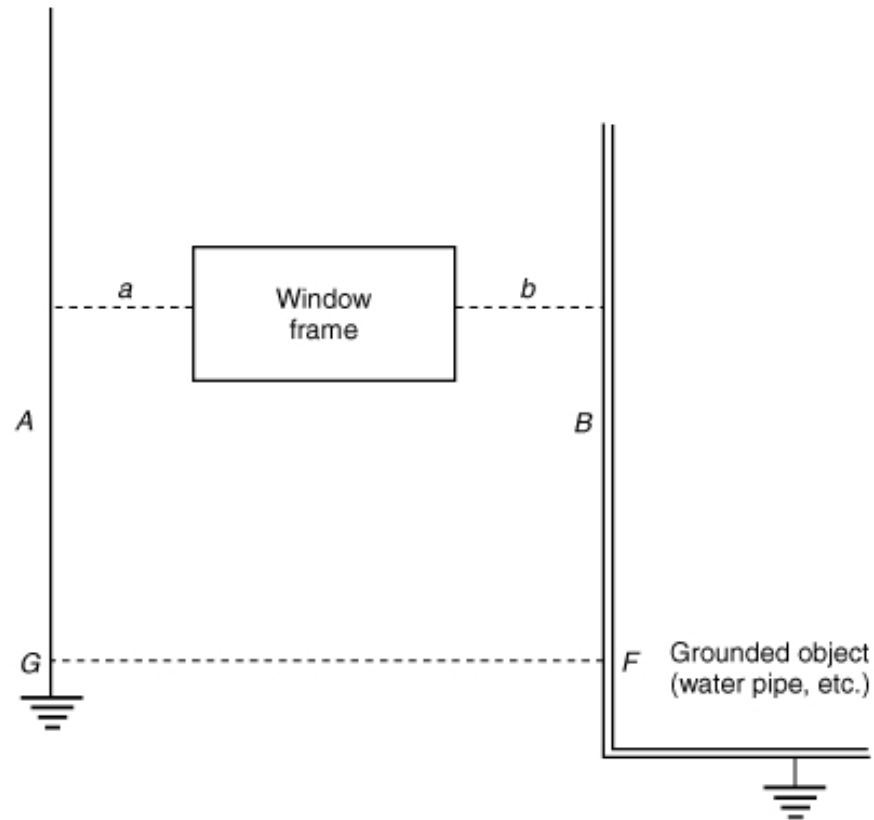


FIGURE 4.21.3.1 Effect of Isolated (Nongrounded) Metallic Bodies, Such As a Window Frame, in Nonconductive Media.

(A) If $a + b <$ the calculated bonding distance, then A shall be bonded to B directly.

(B) If $a + b >$ the calculated bonding distance, bonds shall not be required.

4.21.3.2 A bonding connection shall be required where the total of the shortest distance between the lightning conductor and the isolated metal body and the shortest distance between the isolated metal body and the grounded metal body is equal to or less than the bonding distance as calculated in accordance with [4.21.2](#).

4.21.3.3 Bondings shall be made between the lightning protection system and the grounded metal body and shall not be required to run through or be connected to the isolated metal body.

NEXT CHAPTER

Chapter 5 Protection for Miscellaneous Structures and Special Occupancies

5.1 General.

All requirements of Chapter 4 shall apply except as modified by this chapter.

5.2 Masts, Spires, Flagpoles.

5.2.1 These slender structures shall require one strike termination device, down conductor, and ground terminal.

5.2.2 Electrically continuous metal structures shall require only bonding to ground terminals.

5.3 Grain-, Coal-, and Coke-Handling and Processing Structures.

Provisions shall be made for the settling and rising of wood frame elevators as grain, coal, and coke is loaded and unloaded.

5.4 Metal Towers and Tanks.

Metal towers and tanks constructed so as to receive a stroke of lightning without damage shall require only bonding to ground terminals as required in Chapter 4, except as provided in Chapter 7.

5.5 Air-Inflated Structures.

Air-inflated structures shall be protected with a mast-type or catenary lightning protection system in accordance with Chapter 7 or with a lightning protection system in accordance with Chapter 4.

5.6 Concrete Tanks and Silos.

Lightning protection systems for concrete (including prestressed concrete) tanks containing flammable vapors, flammable gases, and liquids that produce flammable vapors and for concrete silos containing materials susceptible to dust explosions shall be provided with either external conductors or with conductors embedded in the concrete in accordance with Chapter 4 or Chapter 7.

5.7 Guyed Structures.

Each metal guy cable shall be bonded at its lower end with a main-size conductor to all other guy cables sharing a common anchor point, and grounded at the anchor point.

5.7.1 Anchor plates shall be bonded to the anchor ground point.

5.7.2 Multiple guy cables shall be permitted to be connected to a common point with a single continuous conductor to the ground and the anchor plate bonding conductor attached to that main conductor.

5.7.3 Each metal guy cable shall be bonded at its upper end to the structure it supports if it is constructed of a conductive material, and to the lightning protection system loop conductor or down conductors.

NEXT CHAPTER

Chapter 6 Protection for Heavy-Duty Stacks

6.1 General.

A smoke or vent stack shall be classified as heavy duty if the cross-sectional area of the flue is greater than 0.3 m² (500 in.²) and the height is greater than 23 m (75 ft), as shown in [Figure 6.1](#).

A: 2 m (8 ft) maximum spacing of air terminals.

B: All equipment on upper 8 m (25 ft) of stack to be lead-covered copper, stainless steel, or approved corrosion-resistant material.

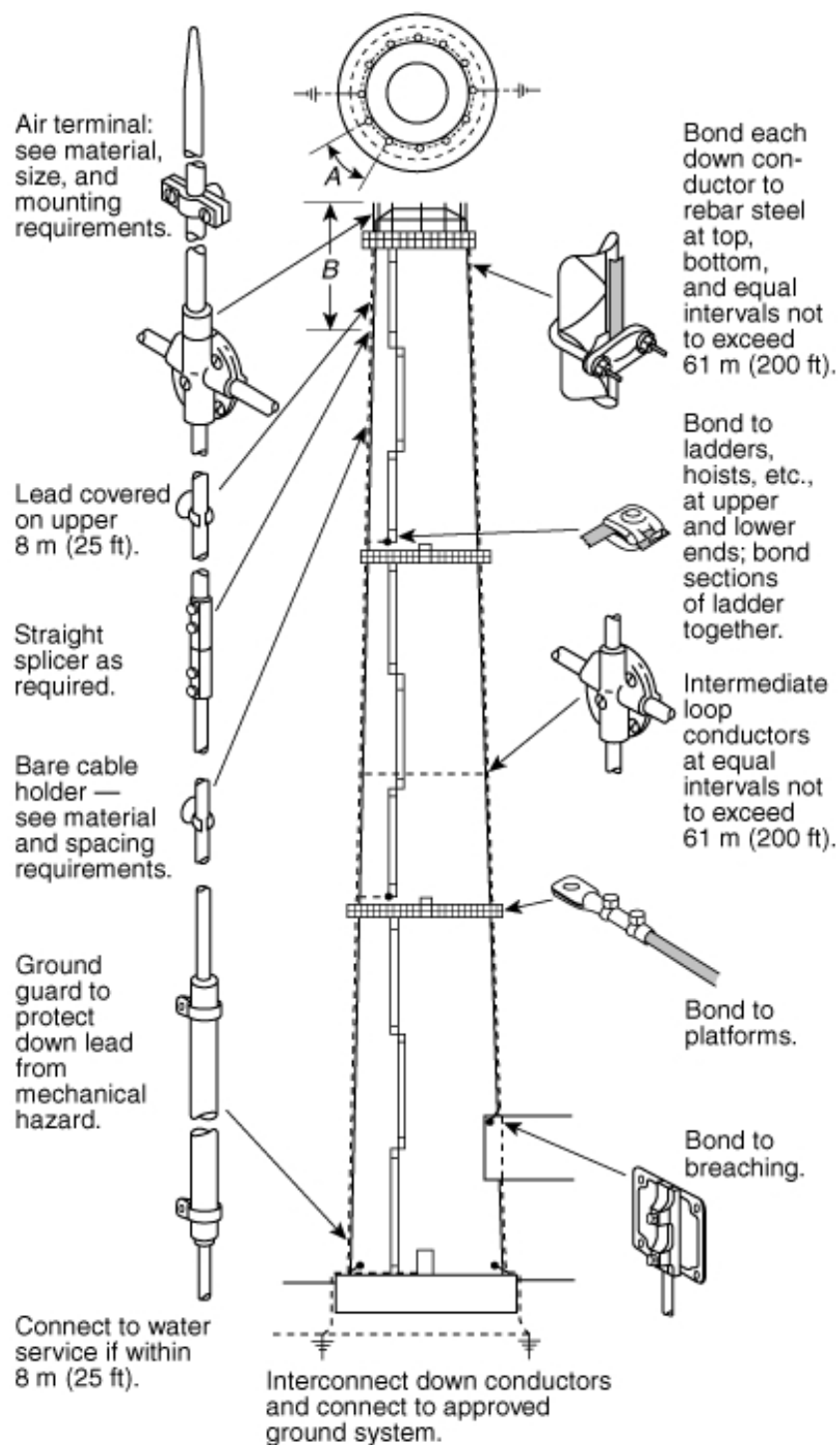


FIGURE 6.1 Heavy-Duty Stack.

6.2 Materials.

6.2.1 General. Materials shall be Class II as shown in [Table 4.1.1.1\(B\)](#) and as described in this

chapter.

6.2.2 Corrosion Protection. Copper and bronze materials used on the upper 7.6 m (25 ft) of a stack shall have a continuous covering of lead having minimum thickness of 1.6 mm ($\frac{1}{16}$ in.) to resist corrosion by flue gases.

6.2.2.1 Such materials shall include conductors, strike termination devices, connectors, splicers, and cable holders.

6.2.2.2 Stacks that extend through a roof less than 7.6 m (25 ft) shall have a lead covering only on those materials above the roof level.

6.3 Strike Termination Devices.

Strike termination devices shall be made of solid copper, stainless steel, titanium, or Monel Metal™.

6.3.1 They shall be located uniformly around the top of cylindrical stacks at intervals not exceeding 2.4 m (8 ft).

6.3.2 On square or rectangular stacks, strike termination devices shall be located not more than 600 mm (24 in.) from the corners and shall be spaced not more than 2.4 m (8 ft) apart around the perimeter.

6.3.3 Air Terminal Heights. The height of air terminals above the stacks shall be not less than 460 mm (18 in.) nor more than 760 mm (30 in.).

6.3.3.1 They shall be at least 15 mm ($\frac{5}{8}$ in.) in diameter, exclusive of the corrosion protection.

6.3.3.2 Top-mounted air terminals shall not extend more than 460 mm (18 in.) above the top of the stack.

6.3.4 Air Terminal Mountings.

6.3.4.1 Air terminals shall be secured to the stack and shall be connected together at their lower end with a conductor forming a closed loop around the stack.

6.3.4.2 Side-mounted air terminals shall be secured to the stack at not less than two locations.

6.3.4.3 An anchored base connector shall be considered as one location.

6.3.5 Steel Hoods.

6.3.5.1 An electrically continuous steel hood covering the stack lining and column, having a metal thickness of not less than 4.8 mm ($\frac{3}{16}$ in.), shall be permitted to serve as the strike termination device.

6.3.5.2 The hood serves as a top loop conductor and shall be connected to each down conductor using a connection plate of not less than 5200 mm² (8 in.²) bolted or welded to the hood.

6.4 Conductors.

6.4.1 General.

6.4.1.1 Conductors shall be copper, weighing not less than 558 g per m (375 lb per 1000 ft) without the lead covering.

6.4.1.2 The size of any wire in the conductor shall be not less than 15 AWG.

6.4.2 Down Conductors.

6.4.2.1 No fewer than two down conductors shall be provided.

6.4.2.2 They shall be located on opposite sides of the stack and shall lead from the loop conductor at the top to ground terminals.

6.4.2.3 Down conductors shall be interconnected within 3.6 m (12 ft) of the base by a loop conductor, preferably below grade.

6.4.2.4 The down conductor also shall be interconnected with a loop conductor at intervals not to exceed 60 m (200 ft).

6.4.2.5 Down conductors shall be protected from physical damage or displacement for a distance of not less than 2.4 m (8 ft) above grade.

6.5 Fasteners.

6.5.1 Fasteners shall be of copper, bronze, or stainless steel.

6.5.2 They shall be anchored to the stack by masonry anchors or lay-in attachments.

6.5.3 The threaded shank of fasteners shall be not less than 12.7 mm ($\frac{1}{2}$ in.) diameter for air terminals and 10 mm ($\frac{3}{8}$ in.) diameter for conductors.

6.5.4 Vertical conductors shall be fastened at intervals not exceeding 1.2 m (4 ft), and horizontal conductors shall be fastened at intervals not exceeding 0.6 m (2 ft).

6.6 Splices.

Splices in conductors shall be as few as practicable and shall be attached so as to withstand a pull test of 890 N (200 lb).

6.6.1 All connections and splices shall be by bolting, brazing, welding, or high-compression connectors listed for the purpose.

6.6.2 All connectors and splicers shall make contact with the conductor for a distance not less than 38 mm ($1\frac{1}{2}$ in.), measured parallel to the axis of the conductor.

6.7 Reinforced Concrete Stacks.

6.7.1 All reinforcing steel shall be made electrically continuous and bonded to each down conductor within 3.6 m (12 ft) of the top and base of the stack and at intervals not to exceed 60 m (200 ft).

6.7.2 Tying or clipping of reinforcing steel shall be a permitted means of ensuring continuity.

6.7.3 Clamps or welding shall be used for all connections to the reinforcing steel and to the down conductors.

6.8 Bonding of Metal Bodies.

Bonding of metal bodies on a heavy-duty stack shall comply with the requirements of Sections [4.19](#), [4.20](#), and [4.21](#), and as described in this section.

6.8.1 Potential Equalization. Potential equalization shall be accomplished by [6.8.1.1](#) through [6.8.1.3](#).

6.8.1.1 Ground Level of Stack.

(A) All interior and exterior grounded media shall be interconnected by a loop conductor within 3.6 m (12 ft) of the base of the stack.

(B) This interconnection shall include, but not be limited to, lightning protection down conductors, conduit, piping, elevators, ladders, and breeching steel and reinforcing steel.

6.8.1.2 Top Level of Stack. All interior and exterior grounded media shall be interconnected within 3.6 m (12 ft) of the top of the stack.

6.8.1.3 Intermediate Levels of Stack. All interior and exterior vertical grounded media shall be interconnected at intervals not to exceed 60 m (200 ft).

6.8.2 Isolated (Nongrounded) Protruding Metal Bodies. Isolated (nongrounded) protruding metal bodies shall be bonded in accordance with [6.8.2.1](#) through [6.8.2.2](#).

6.8.2.1 Exterior. Isolated protruding metal bodies 46 m (150 ft) or more above the base and on the exterior of a stack are subject to a direct strike and shall be interconnected to the lightning protection system.

6.8.2.1.1 Isolated protruding metal bodies shall include, but not be limited to, rest platforms, jib hoists, and other metal bodies protruding 460 mm (18 in.) or more from the column wall.

6.8.2.2 Interior. Isolated metal bodies on the interior of a reinforced steel stack or within the zone of protection on the exterior shall not be required to be connected to the lightning protection system.

6.9* Grounding.

6.9.1 A ground terminal suitable for the soil conditions encountered shall be provided for each down conductor.

6.9.2 Ground terminals shall be in accordance with Section [4.13](#), except ground rods shall be a copper-clad or stainless steel rod having a diameter of not less than 15 mm ($\frac{5}{8}$ in.) and shall be at least 3 m (10 ft) in length.

6.10 Metal Stacks.

6.10.1 Heavy-duty metal stacks having a metal thickness of 4.8 mm ($\frac{3}{16}$ in.) or greater shall not require air terminals or down conductors.

6.10.2 Such metal stacks shall be grounded by means of at least two ground terminals located on opposite sides of the stack.

6.10.3 If the stack is an adjunct of a building or located within the sideflash distance, as determined by Sections [4.19](#), [4.20](#), and [4.21](#), it shall be interconnected to the lightning protection on the building.

6.10.4 If the stack is located within the perimeter of a protected building, two connections shall be made between the stack conductors and the nearest main building lightning conductors at or about the roof level.

6.11 Metal Guy Wires and Cables.

Metal guy wires and cables used to support stacks shall be grounded at their lower ends.

NEXT CHAPTER

Chapter 7 Protection for Structures Containing Flammable Vapors, Flammable Gases, or Liquids That Can Give Off Flammable Vapors

7.1 Reduction of Damage.

7.1.1* Application.

7.1.1.1 This chapter shall apply to the protection of structures containing flammable vapors, flammable gases, or liquids that give off flammable vapors.

7.1.1.2 For the purpose of this chapter, the term *structure* shall apply to any outdoor vessel, tank, or other container where this material is contained.

7.1.2 Certain types of structures used for the storage of liquids that produce flammable vapors or used to store flammable gases are essentially self-protecting against damage from lightning strokes and shall need no additional protection.

7.1.2.1 Metallic structures that are electrically continuous, tightly sealed to prevent the escape of liquids, vapors, or gases, and of 4.8 mm ($\frac{3}{16}$ in.) thickness or greater to withstand direct strikes in accordance with [7.3.2](#) shall be considered to be inherently self-protecting.

7.1.2.2 Protection of other structures shall be achieved by the use of strike termination devices.

7.1.3* Because of the nature of the contents of the structures considered in this chapter, extra precautions shall be taken.

7.1.4 In the structures covered in Chapter [7](#), a spark that would otherwise cause little or no damage might ignite the flammable contents and result in a fire or explosion.

7.2 Fundamental Principles of Protection.

Protection of these structures and their contents from lightning damage shall require adherence to the principles of [7.2.1](#) through [7.2.5](#).

7.2.1 Liquids that give off flammable vapors shall be stored in essentially gastight structures.

7.2.2 Openings where flammable concentrations of vapor or gas escape to the atmosphere shall be closed or otherwise protected against the entrance of flame.

7.2.3 Structures and all appurtenances (e.g., gauge hatches, vent valves) shall be maintained in operating condition.

7.2.4 Flammable air-vapor mixtures shall be prevented, to the greatest possible extent, from accumulating outside such structures.

7.2.5 Potential spark gaps between metallic conductors shall not be allowed at points where flammable vapors escape or accumulate.

7.3 Protective Measures.

7.3.1 Materials and Installation.

7.3.1.1 Conductors, strike termination devices, and grounding connections shall be selected and installed in accordance with the requirements of Chapter [4](#) and as described in this chapter.

7.3.1.2 Overhead ground wire material shall be chosen to minimize corrosion from conditions at the site.

7.3.1.3 The overhead ground wire selected shall be sized in cross-sectional area to a main conductor and shall be self-supporting with minimum sag under all conditions.

7.3.1.4 The overhead ground wire shall be constructed of aluminum, copper, stainless steel, or protected steel such as copper-clad, aluminum-clad, lead-clad, or galvanized steel.

7.3.2 Sheet Steel. Sheet steel less than 4.8 mm ($\frac{3}{16}$ in.) in thickness shall not be relied upon as protection from direct lightning strokes.

7.3.3 Rods, Masts, and Overhead Ground Wires.

7.3.3.1 The zone of protection of a lightning protection mast shall be based on the striking distance of the lightning stroke, that is, the distance over which final breakdown of the initial stroke to ground or to a grounded object occurs.

7.3.3.2 Since the lightning stroke can strike any grounded object within the striking distance of the point from which final breakdown to ground occurs, the zone of protection shall be defined by a circular arc concave upward, shown in part (a) of [Figure 7.3.3.2](#).

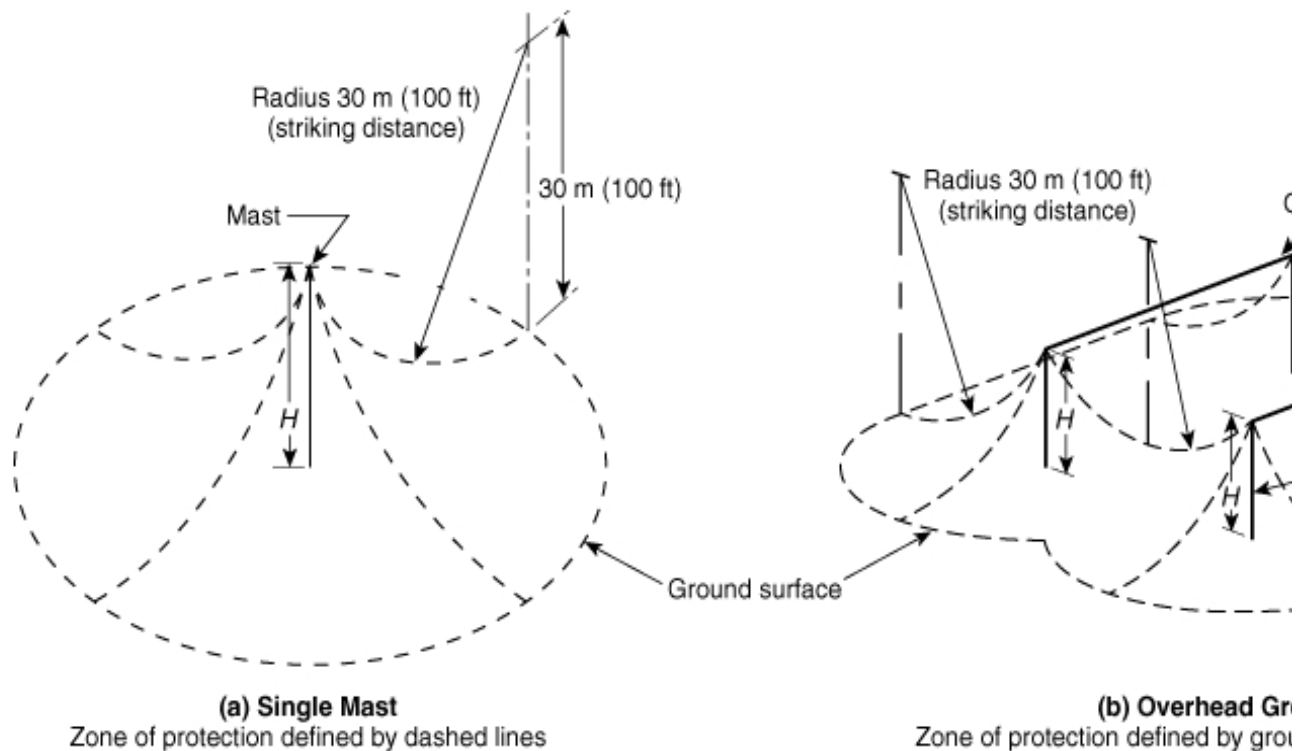
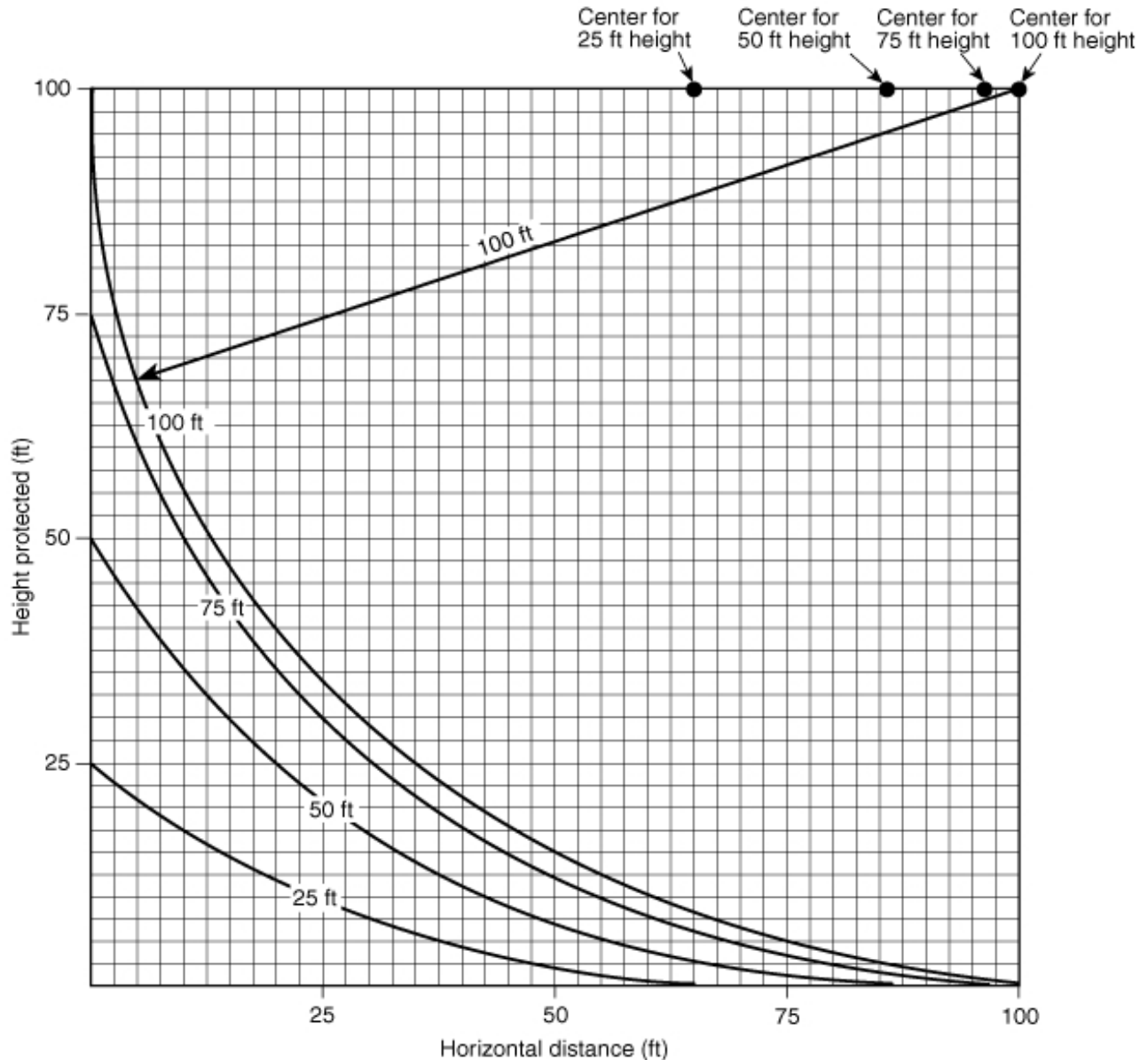


FIGURE 7.3.3.2 Single Mast Zone of Protection (a) and Overhead Ground Wires Zone of Protection (b).

7.3.3.3 The radius of the arc is the striking distance, and the arc shall pass through the tip of the mast and be tangent to the ground.

7.3.3.4 Where more than one mast is used, the arc shall pass through the tips of adjacent masts, as shown in part (b) of [Figure 7.3.3.2](#) and in [Figure 7.3.3.4](#).



Notes:

1. The distance can be determined analytically for a 100 ft (30 m) striking distance with the following equation:

$$d = \sqrt{h_1(200 - h_1)} - \sqrt{h_2(200 - h_2)}$$

where:

- d = horizontal distance (ft)
- h_1 = height of higher mast (ft)
- h_2 = height of lower mast (ft)

2. For SI units, 1 ft = 0.305 m.

FIGURE 7.3.3.4 Zone of Protection — 30 m (100 ft) Striking Distance.

NEXT CHAPTER

7.3.3.5 The striking distance is related to the peak stroke current and thus to the severity of the lightning stroke; the greater the severity of the stroke, the greater the striking distance.

(A) In the vast majority of cases, the striking distance exceeds 30 m (100 ft).

(B) Accordingly, the zone based on a striking distance of 30 m (100 ft) is protected.

7.3.3.6 The zone of protection afforded by any configuration of masts or other elevated, conductive grounded objects shall be determined.

7.3.3.7 Overhead Ground Wire.

(A) The zone of protection of an overhead ground wire shall be based on a striking distance of 30 m (100 ft) and defined by 30 m (100 ft) radius arcs concave upward. [See part (b) of [Figure 7.3.3.2.](#)]

(B) The supporting masts shall have a clearance from the protected structure in accordance with [7.3.3.8.](#)

7.3.3.8* To prevent sideflashes, the minimum distance between a mast or overhead ground wire and the structure to be protected shall be not less than the bonding distance or sideflash distance.

(A) Sideflash distance from a mast shall be calculated from the following formula:

$$D = \frac{h}{6}$$

where:

D = sideflash distance from a mast

h = height of structure (or object being calculated)

(B) Sideflash distance from a catenary shall be calculated as

$$D = \frac{l}{6n}$$

where:

D = sideflash distance from a catenary

l = length of lightning protection conductor between its grounded point and the point being calculated

$n = 1$ where there is a single overhead ground wire that exceeds 60 m (200 ft) in horizontal length

$n = 1.5$ where there is a single overhead wire or more than one wire interconnected above the structure to be protected, such that only two down conductors are located greater than 6 m (20 ft) and less than 30 m (100 ft) apart

$n = 2.25$ where there are more than two down conductors spaced more than 7.6 m (25 ft) apart within a 30 m (100 ft) wide area that are interconnected above the structure being protected

(C) The masts or overhead ground wires shall be grounded and interconnected with the grounding system of the structure to be protected.

(D) The grounding requirements of Chapter [4](#) shall apply.

7.3.3.9 Alternate Grounding Methods.

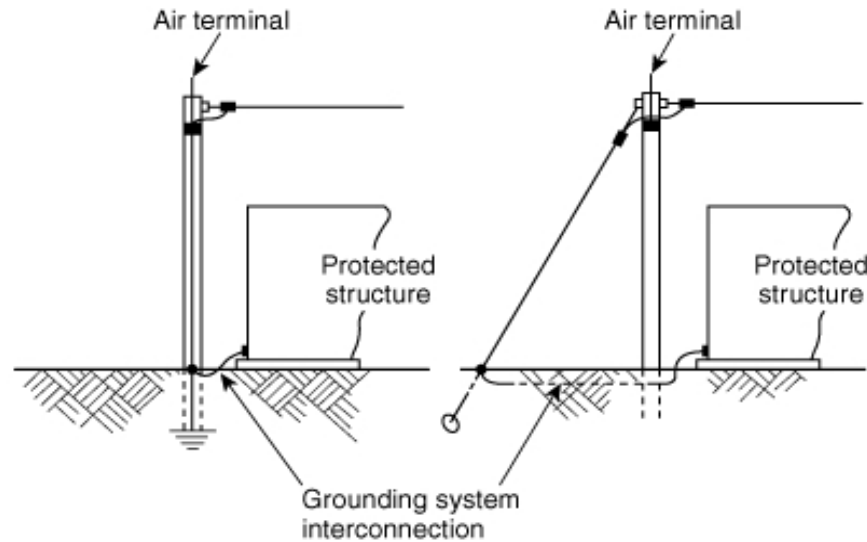


FIGURE 7.3.3.9 Alternate Grounding Methods for Overhead Ground-Wire Protection.

- (A) Masts of wood, used either separately or with ground wires, shall have an air terminal extending at least 0.6 m (2 ft) above the top of the pole, attached to the pole, as in [Figure 7.3.3.9](#), and connected to the grounding system.
- (B) As an alternative, an overhead ground wire or a down conductor, extending above or across the top of the pole, shall be permitted to be used.
- (C) In the case of an overhead ground-wire system, the pole guy wire shall be permitted to be used as the down conductor, provided the guy meets the requirement of [7.3.1](#).
- (D) For grounded metallic masts, the air terminal and the down conductor shall not be required.

7.4 Protection of Specific Classes of Structures.

7.4.1 Aboveground Tanks at Atmospheric Pressure Containing Flammable Vapors or Liquids That Give Off Flammable Vapors.

7.4.1.1 Fixed-Roof Tanks. Metallic tanks with steel roofs of riveted, bolted, or welded construction, with or without supporting members, that are used for the storage of liquids that give off flammable vapors at atmospheric pressure shall be considered protected against lightning (inherently self-protecting) if the requirements of [7.4.1.1\(A\)](#) through [7.4.1.1\(E\)](#) are met.

- (A) All joints between metallic plates shall be riveted, bolted, or welded.
- (B) All pipes entering the tank shall be metallically connected to the tank at the point of entrance.
- (C) All vapor or gas openings shall be closed or provided with flame protection in locations where the stored stock produces a flammable air–vapor mixture under storage conditions.
- (D) The roof shall have a minimum thickness of 4.8 mm ($\frac{3}{16}$ in.).
- (E) The roof shall be welded, bolted, or riveted to the shell.

7.4.1.2* Floating-Roof Tanks. Where floating roofs utilize hangers located within a vapor space, the roof shall be electrically bonded to the shoes of the seal through a direct electrical path at intervals not greater than 3 m (10 ft) on the circumference of the tank.

- (A) These shunts shall consist of flexible Type 302, 28-gauge [0.4 mm × 50 mm ($\frac{1}{16}$ in. × 2 in.)] wide stainless steel straps or the equivalent in current-carrying capacity and corrosion resistance.
- (B) The metallic shoe shall be maintained in contact with the shell and without openings (such as corrosion holes) through the shoe.

- (C) Tanks without a vapor space at the seal shall not require shunts at the seal.
- (D) Where metallic weather shields cover the seal, they shall maintain contact with the shell.
- (E) Where a floating roof is equipped with both primary and secondary seals, the space between the two seals could contain a vapor–air mixture within the flammable range; therefore, if the design of such a seal system incorporates electrically conductive materials and a spark gap exists within that space or could be created by roof movement, shunts shall be installed so that they directly contact the tank shell above the secondary seal.
- (F) The shunts shall be spaced at intervals not greater than 3 m (10 ft) and shall be constructed so that metallic contact is maintained between the floating roof and the tank shell in all operational positions of the floating roof.

7.4.1.3 Metallic Tanks with Nonmetallic Roofs. Metallic tanks with wooden or other nonmetallic roofs shall not be self-protecting, even if the roof is essentially gastight and sheathed with thin metal and with all gas openings provided with flame protection.

- (A) Such tanks shall be provided with strike termination devices.
- (B) Such strike termination devices shall be bonded to each other, to the metallic sheathing, if any, and to the tank shell.
- (C) Isolated metal parts shall be bonded as required by Section [4.19](#).
- (D) Any of the following strike termination devices shall be permitted to be used: conducting masts, overhead ground wires, or a combination of masts and overhead ground wires.

7.4.1.4 Grounding Tanks.

7.4.1.4.1 Tanks shall be grounded to conduct away the current of direct strokes and the buildup and potential that causes sparks to ground.

7.4.1.4.2 A metal tank shall be grounded by one of the methods in [7.4.1.4.2\(A\)](#) through [7.4.1.4.2\(D\)](#).

- (A) A tank shall be connected without insulated joints to a grounded metallic piping system.
- (B) A vertical cylindrical tank shall rest on earth or concrete and shall be at least 6 m (20 ft) in diameter, or shall rest on bituminous pavement and shall be at least 15 m (50 ft) in diameter.
- (C) A tank shall be bonded to ground through a minimum of two ground terminals, as described in Section [4.13](#), at maximum 30 m (100 ft) intervals along the perimeter of the tank.
- (D) A tank installation using an insulating membrane beneath for environmental or other reasons shall be grounded as in [7.4.1.4.2\(C\)](#).

7.4.2 Earthen Containers at Atmospheric Pressure Containing Flammable Vapors or Liquids That Give Off Flammable Vapors.

7.4.2.1 Lined or unlined earthen containers with combustible roofs that enclose flammable vapors or liquids that can give off flammable vapors shall be protected by air terminals, separate masts, overhead ground wires, or a combination of these devices.

7.4.2.2 Aboveground nonmetallic tanks shall be protected as described in [7.3.3](#).

NEXT CHAPTER

Chapter 8 Protection for Watercraft

8.1 General.

The intent of this chapter shall be to provide lightning protection requirements for watercraft while in water.

8.1.1 Lightning protection systems installed on watercraft shall be installed in accordance with the provisions of this chapter.

8.1.2 A lightning protection system installed in accordance with the requirements of this chapter shall offer no protection for a watercraft that is out of the water.

8.1.3* Personnel on small watercraft shall exit the water when an approaching thunderstorm is noticed.

8.1.4 A lightning protection system does not afford protection if any part of the watercraft contacts a power line or other voltage source while in water or on shore.

8.2 Materials.

8.2.1 Corrosion.

8.2.1.1 The materials used in the lightning protection system shall be resistant to corrosion.

8.2.1.2 The use of combinations of metals that form detrimental galvanic couples shall be prohibited.

8.2.2 Dissimilar Metals. In those cases where it is impractical to avoid a junction of dissimilar metals, the corrosion effect shall be reduced by the use of plating or special connectors, such as stainless steel connectors used between aluminum and copper alloys.

8.2.2.1 Copper shall be used in a lightning conductor system.

8.2.2.2 The use of conducting materials that are part of the structure of the watercraft, such as aluminum, shall be permitted.

8.2.2.3 All copper conductors shall be the grade ordinarily required for commercial electrical work, which generally is designated as providing 98 percent conductivity where annealed.

8.2.3* Copper Conductors.

8.2.3.1 Copper cable conductors shall be of a diameter not less than 4 AWG for the main down conductor, not less than 6 AWG for two parallel paths, or 8 AWG for more than two paths (such as those to shrouds and stay connections on sailboats).

8.2.3.2 The thickness of any copper ribbon or strip (except for grounding plates and strips as discussed in [8.5.4](#)) shall be not less than 20 AWG.

8.2.3.3 Where other materials are used, the gauge shall be such to provide conductivity equal to or greater than the required conductor size.

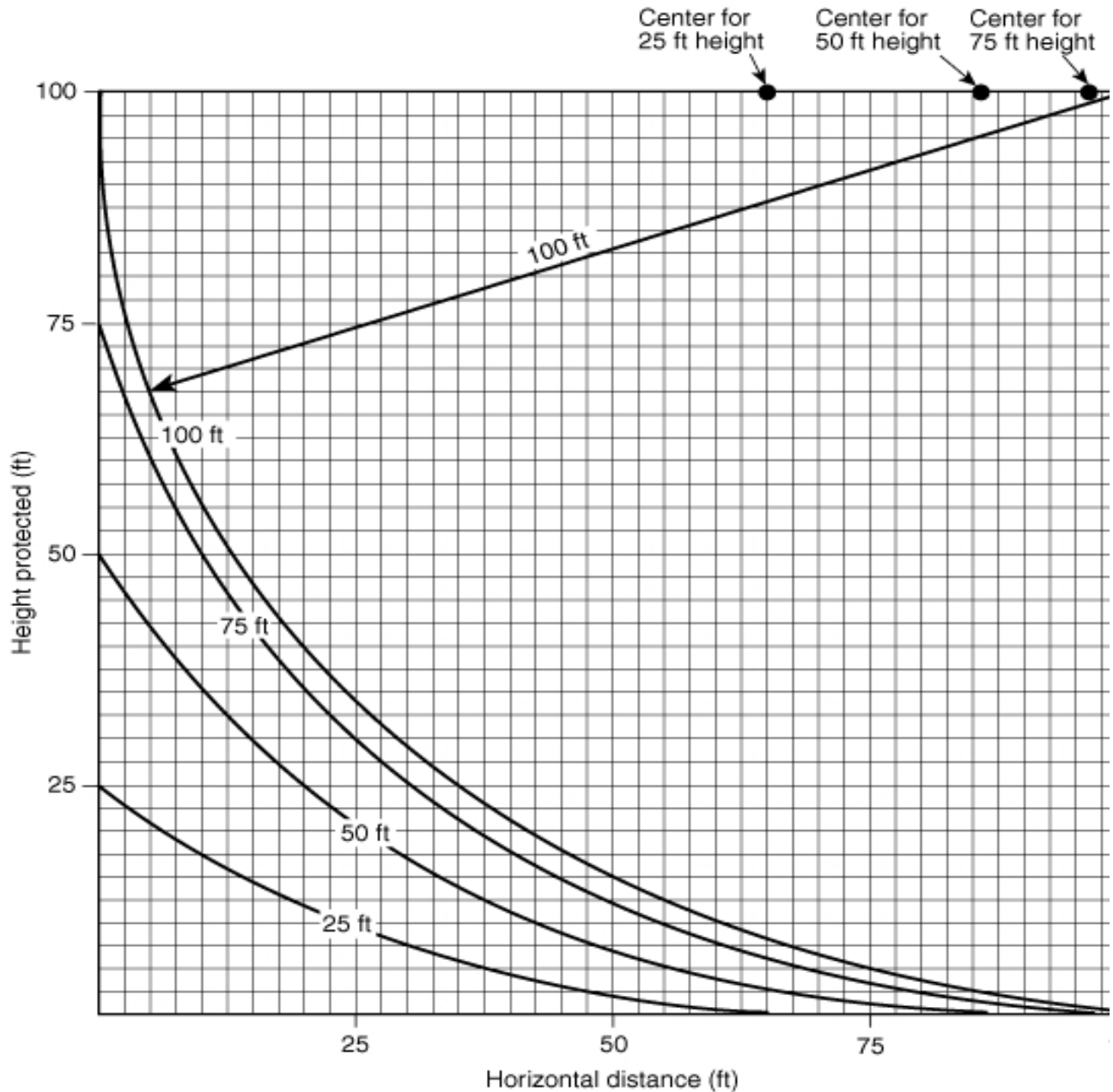
8.2.4 Joints. Joints shall be mechanically strong and shall be made so that they do not have an electrical resistance in excess of 0.6 m (2 ft) of conductor.

8.3 Antennas and Masts.

8.3.1 General.

8.3.1.1 The zone of protection for watercraft shall be based on a striking distance of 30 m (100 ft).

8.3.1.2 The zone of protection afforded by any configuration of masts or other elevated conductive objects shall be determined graphically or mathematically, as shown in [Figure 8.3.1.2\(a\)](#) and [Figure 8.3.1.2\(b\)](#).



Notes:

1. The distance can be determined analytically for a 100 ft (30 m) striking distance with the following equation:

$$d = \sqrt{h_1 (200 - h_1)} - \sqrt{h_2 (200 - h_2)}$$

where:

- d = horizontal distance (ft)
- h_1 = height of strike termination device (ft)
- h_2 = height of object to be protected (ft)

2. For SI units, 1 ft = 0.305 m.

FIGURE 8.3.1.2(a) Zone of Protection — 30 m (100 ft) Striking Distance.

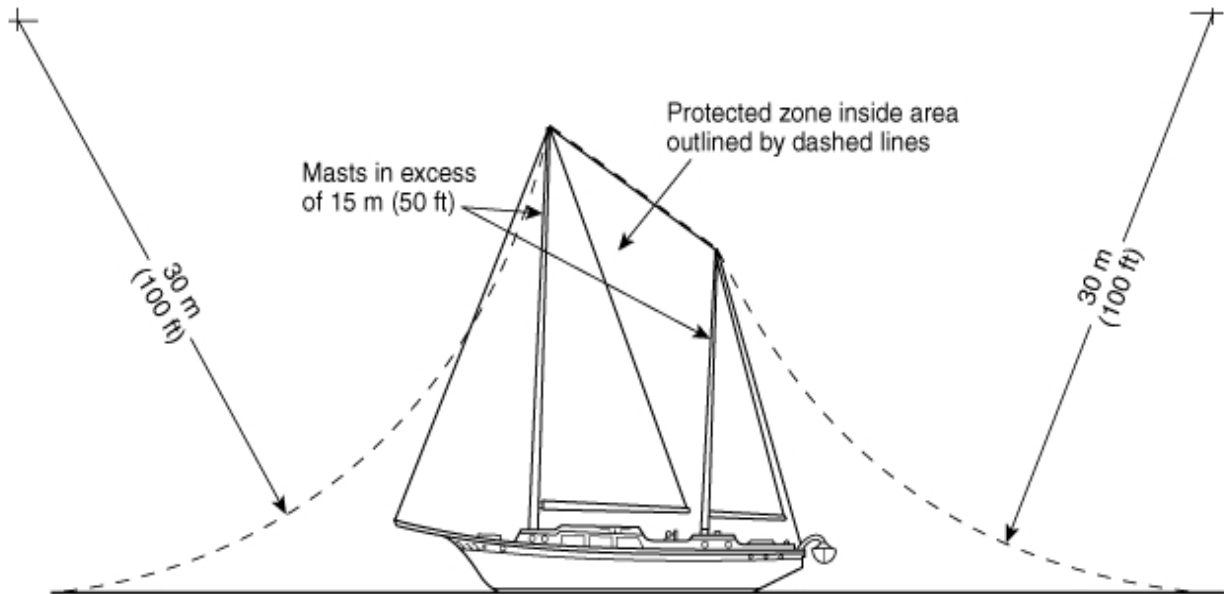


FIGURE 8.3.1.2(b) Diagram of Boat with Masts in Excess of 15 m (50 ft) Above the Water; Protection Based on Lightning Strike Distance of 30 m (100 ft).

8.3.2 Strike Termination Devices.

8.3.2.1 Strike termination devices (including conductive masts, etc.) meeting the requirements of Section 4.6 shall be so located and high enough to provide a zone of protection that covers the entire watercraft.

8.3.2.2 The devices shall be mechanically strong to withstand the roll and pitching action of the hull as well as heavy weather.

8.3.2.3 The strike termination device shall be permitted to be raked at an angle but shall be substantially vertical.

8.3.3 Metallic Masts.

8.3.3.1 A metallic mast used as a strike termination device shall have a conductivity equivalent to a 4 AWG copper conductor.

NEXT CHAPTER

8.3.3.2 A metallic mast shall be grounded in accordance with the requirements provided in Sections [8.4](#) and [8.5](#).

8.3.4 Nonmetallic Masts. A nonmetallic mast not within the zone of protection of a strike termination device shall be provided with an air terminal as described in Section [4.6](#).

8.3.4.1 The air terminal shall extend a minimum of 152 mm (6 in.) above the mast.

8.3.4.2 The air terminal shall be provided with a copper conductor or strip securely fastened to the mast.

8.3.4.3 The down conductor shall have a conductivity equivalent to a 4 AWG copper conductor.

8.3.4.4 A grounding system meeting the requirements of Section [8.5](#) also shall be provided.

8.3.5 Radio Antennas. A solid metal vertical radio antenna shall be permitted to serve as a strike termination device for small nonmetallic watercraft, provided a provision is made to ground the metal antenna with a conductor equivalent to a 4 AWG copper conductor.

8.3.5.1 The conductor shall be routed vertically to the maximum extent practical (minimizing bends, etc.) to the lightning grounding plate, the lightning grounding strip under the watercraft, or to an equalization bus.

8.3.5.2 The height of the antenna shall be sufficient to provide the required zone of protection for the watercraft and its occupants.

8.3.5.3 Because a loading coil presents a high impedance to the flow of lightning currents, the coil shall be shorted, equipped with a surge suppression device (lightning arrester) for bypassing the lightning current, or grounded above the coil.

8.3.5.4 Nonmetallic radio antennas with spirally wrapped conductors shall not be used for lightning protection.

8.3.6 Temporary Strike Termination Device. On small watercraft that cannot be equipped with a permanent strike termination device, a temporary strike termination device shall be permitted.

8.3.6.1 The temporary strike termination device shall be located so as to provide a zone of protection covering the entire watercraft and its occupants when installed.

8.3.6.2 Temporary strike termination devices shall have a conductivity equivalent to a 4 AWG copper conductor.

8.3.6.3* A solid stainless steel whip antenna or equivalent shall be permitted to be used as a temporary strike termination device.

8.3.6.4 The location of the strike termination device base shall be such that persons on the watercraft can avoid physical contact with the strike termination device or its base.

8.4 Conductors.

8.4.1 Lightning Grounding Conductors. Lightning grounding conductors shall be routed directly to a ground, as discussed in Section [8.5](#), to the maximum extent practicable (minimizing bends, etc.).

8.4.2 Lightning grounding conductors also shall be routed as remotely as possible from the watercraft's wiring to minimize sideflashes and introducing high voltages into the watercraft's wiring system.

8.4.3 The watercraft wiring system shall be routed perpendicular to the lightning grounding conductors where practicable.

8.4.4* Interconnecting Conductors.

8.4.4.1 An interconnecting conductor, equivalent to 8 AWG copper conductor, shall be provided at all locations where sideflashes are likely to occur.

8.4.4.2 Large metallic masses that are subject to sideflashes shall be connected to the lightning grounding plate(s), the lightning grounding strip, or to the equalization bus, if provided, in accordance

with Section [8.6](#).

8.4.5 Metallic Tanks. Metallic tanks shall be connected directly to the lightning ground plate(s), the lightning grounding strip, or the equalization bus.

8.4.6 Shrouds and Stays.

8.4.6.1 Shrouds and stays shall be permitted as part of the path to ground from the mast (strike termination device) to the lightning grounding plate or strip.

8.4.6.2 The aggregate conductivity and inductance, including the mast, shall be not less than that of a 4 AWG copper conductor.

8.4.6.3 Where stainless steel shrouds and stays are used in the lightning protection system, every shroud or stay shall be connected at its lower end or at the chainplates directly to the lightning grounding plate or lightning grounding strip with conductors having the minimum size of an 8 AWG copper conductor.

8.4.6.4 Stainless steel shrouds of small diameter and stays on small sailboats that are trailered without the required conductivity (less than that of an 8 AWG copper conductor) shall be grounded at their lower ends in addition to the grounding of the mast.

8.5 Grounding.

8.5.1 Watercraft with Metal Hulls.

8.5.2 Where an electrical connection exists between a metallic hull and a lightning air terminal or other metallic superstructure of sufficient height to provide the zone of protection specified in Section [8.3](#), no further protection shall be necessary; however, surge suppression in accordance with Section [4.18](#) shall be provided.

8.5.3 Conducting objects projecting above metal masts or superstructures shall be grounded with a grounding conductor connected to the metal hull or superstructure.

8.5.4 Watercraft with Nonmetallic Hulls. Grounding plates or strips shall be installed on the underside of the hull of nonmetallic watercraft to provide a path for the lightning current into the water.

8.5.4.1 Grounding Plate.

8.5.4.1.1 A grounding plate of copper, copper alloys, or stainless steel shall be provided.

8.5.4.1.2 The plate shall have a minimum size of $0.09 \text{ m}^2 \times 4.8 \text{ mm}$ ($1 \text{ ft}^2 \times \frac{3}{16} \text{ in.}$) thick.

8.5.4.1.3 The plate shall be located as closely as possible below the strike termination device.

8.5.4.1.4 Through-hull connectors shall be metallic and have a cross-sectional area equivalent to a 4 AWG copper conductor.

8.5.4.2 Grounding Strip. An external grounding strip of copper, copper alloys, or stainless steel installed under the watercraft running fore and aft shall have a minimum thickness of 4.8 mm ($\frac{3}{16} \text{ in.}$) and a minimum width of 19 mm ($\frac{3}{4} \text{ in.}$).

8.5.4.2.1 The length of the strip shall be permitted to extend from a point located directly below the strike termination device to the aft end of the watercraft, where a direct connection shall be made to the engine.

8.5.4.2.2 The total length of the strip shall be not less than 1.2 m (4 ft).

8.5.4.2.3 In a sailboat, the backstay and engine shall be connected electrically to the aft end of the strip.

8.5.4.2.4 The strip shall be secured to the hull with one or, preferably, two galvanically compatible throughbolts at each end.

8.5.4.2.5 The bolts shall have a minimum cross-sectional area equivalent to a 4 AWG copper

conductor.

8.5.4.2.6 The strip shall be located so that it is submerged under all operating conditions.

8.5.4.2.7 If the single strip is not located so as to be continuously submerged when the vessel is heeled either to port or starboard, then a strip shall be required on both port and starboard sides.

8.5.4.2.8 Where more than one grounding strip is provided, all the grounding strips shall be bonded together.

8.5.4.2.9 All terminations to the strip shall be made as short and direct as possible.

8.5.4.2.10 Additional through-hull connections shall be permitted to be located along the length of the strip for additional connections, such as those on a two-masted sailboat.

8.5.4.2.11 Because of the possibility of stray current corrosion of the securing bolts, the number of through-hull bolts shall be kept to a minimum.

8.5.4.2.12 To minimize the number of through-hull bolt connections, an equalization bus shall be permitted to be installed in accordance with Section [8.6](#).

8.5.4.2.13 The aft end of the grounding strip shall be connected directly to the engine negative ground terminal to provide a path inside the hull for any stray dc currents that are imposed on the through-hull bolts from the lightning grounding strip where those bolts contact bilge water.

8.6 Interconnection of Metallic Masses.

8.6.1 Equalization Bus. An equalization bus shall be permitted to be installed inside the boat to minimize the number of through-hull bolts needed.

8.6.1.1 The equalization bus, if used, shall be installed inside the watercraft parallel to the underwater location of the lightning grounding strip.

8.6.1.2 Permanently installed large metallic masses inside the watercraft shall be connected directly to the equalization bus.

8.6.1.3 The equalization bus shall be connected to the underwater lightning grounding strip at both ends.

8.6.2* Seacocks and Through-Hull Fittings. Seacocks and through-hull fittings shall not be connected to the main down conductor but shall be permitted to be connected to the underwater grounding strip, the lightning grounding plate, or the equalization bus.

8.6.3 Metal Masses. Metal masses such as engines, generators, metallic tanks, steering systems located inside the vessel, and metal life rails shall be connected to the lightning grounding plate, grounding strip, or equalization bus as directly as possible.

8.6.4 Engine Grounding. To minimize the flow of the lightning discharge currents through the engine bearings, the engine block shall be permitted to be grounded directly to the lightning grounding plate or lightning grounding strip rather than to an intermediate point in the system.

8.6.5 Protection of Equipment.

8.6.5.1 Metal cabinets that enclose electronic equipment shall be connected to the lightning grounding system with a minimum of an 8 AWG copper conductor.

8.6.5.2 Surge suppression devices shall be installed on all wiring entering or leaving electronic equipment.

8.7 Nonmetallic Watercraft.

8.7.1 Sailboats. Sailboats without inboard engines that are equipped with metallic masts and metallic rigging shall be considered protected if the mast and the rigging chain plates are all connected to a lightning grounding plate or lightning grounding strip located directly below the mast.

8.7.1.1 Open Day-Sailers.

8.7.1.1.1 Lightning protection on open day-sailers shall depend on the grounding of the rigging as well as the metal masts or the continuous metallic tracks on nonmetallic masts because stainless steel rigging and preventers usually are not equivalent to 8 AWG copper conductor.

8.7.1.1.2 The rigging, metal masts, or metallic tracks on nonmetallic masts shall be connected at the lower ends to a lightning grounding plate or a lightning strip located directly below the mast.

8.7.1.1.3 Metallic rudders at the aft end of the boat shall not be used as the lightning ground for the mast because of the need for a long, horizontal conductor to be run to the aft end of the boat.

8.7.1.1.4 The tiller or other connections to metallic rudders with which the operator could come into contact shall be of nonconductive materials.

8.7.1.1.5 Metallic keels or centerboards shall be connected directly to the lightning grounding plate or strip or shall be permitted to serve as the lightning grounding means if they provide the 0.09 m² (1 ft²) area required to be in contact with the water.

8.7.1.1.6 If a centerboard is used as the lightning grounding means, a warning sign shall be provided that clearly states that the centerboard shall be in the down position in order to function as a lightning ground.

8.7.1.2 Cruising Sailboats.

8.7.1.2.1 All shrouds, stays, sail tracks, and metallic masts shall be connected to the lightning grounding system, since it is assumed that occupants of the boat will be in proximity of forestays, backstays, and shrouds during the operation of the boat.

8.7.1.2.2 Grounding of all metallic masses on the boat shall be in accordance with all applicable sections of this standard.

8.7.2* Power Boats. Where practicable, lightning protection shall be provided through the use of a metallic radio antenna, as described in [8.3.5](#), or a temporary strike termination device, as described in [8.3.6](#).

NEXT CHAPTER

Annex A Explanatory Material

Annex A is not a part of the requirements of this NFPA document but is included for informational purposes only. This annex contains explanatory material, numbered to correspond with the applicable text paragraphs.

A.1.1.2 Electric generating facilities whose primary purpose is to generate electric power are excluded from this standard with regard to generation, transmission, and distribution of power. Most electrical utilities have standards covering the protection of their facilities and equipment. Installations not directly related to those areas and structures housing such installations can be protected against lightning by the provisions of this standard.

Lightning protection systems for structures used for production or storage of explosive materials require special consideration because the contents of such structures are sensitive to arc or spark ignition. Annex **K** provides guidance for protection of structures housing explosive materials. Other standards and handbooks that provide guidance for military applications are found in Annex **N**.

A.1.5 Guidance on an effective maintenance program is provided in Annex **D**.

A.3.2.1 Approved. The National Fire Protection Association does not approve, inspect, or certify any installations, procedures, equipment, or materials; nor does it approve or evaluate testing laboratories. In determining the acceptability of installations, procedures, equipment, or materials, the authority having jurisdiction may base acceptance on compliance with NFPA or other appropriate standards. In the absence of such standards, said authority may require evidence of proper installation, procedure, or use. The authority having jurisdiction may also refer to the listings or labeling practices of an organization that is concerned with product evaluations and is thus in a position to determine compliance with appropriate standards for the current production of listed items.

A.3.2.2 Authority Having Jurisdiction (AHJ). The phrase “authority having jurisdiction,” or its acronym AHJ, is used in NFPA documents in a broad manner, since jurisdictions and approval agencies vary, as do their responsibilities. Where public safety is primary, the authority having jurisdiction may be a federal, state, local, or other regional department or individual such as a fire chief; fire marshal; chief of a fire prevention bureau, labor department, or health department; building official; electrical inspector; or others having statutory authority. For insurance purposes, an insurance inspection department, rating bureau, or other insurance company representative may be the authority having jurisdiction. In many circumstances, the property owner or his or her designated agent assumes the role of the authority having jurisdiction; at government installations, the commanding officer or departmental official may be the authority having jurisdiction.

A.3.2.4 Listed. The means for identifying listed equipment may vary for each organization concerned with product evaluation; some organizations do not recognize equipment as listed unless it is also labeled. The authority having jurisdiction should utilize the system employed by the listing organization to identify a listed product.

A.3.3.2 Cable. See [Table 4.1.1.1\(A\)](#) and [Table 4.1.1.1\(B\)](#).

A.3.3.4 Combination Waveform Generator. For the open-circuit waveform, the front time = $1.67(t_{90} - t_{30})$, where t_{90} and t_{30} are times to the 90 percent and the 30 percent amplitude points on the leading edge of the waveform. The duration of this waveform will be the time between virtual origin and time to the 50 percent point on the tail. (Virtual origin is the intersection of the line connecting t_{90} and t_{30} , with $V = 0$.)

For the short-circuit waveform, the front time = $1.25(t_{90} - t_{10})$, where t_{90} and t_{10} are times to the 90 percent and the 10 percent amplitude points on the leading edge of the waveform. The duration will be the time between virtual origin and time to the 50 percent point on the tail. (Virtual origin is the intersection of the line connecting t_{90} and t_{10} , with $I = 0$.)

A.3.3.5.3 Main Conductor. The main conductor also serves as a strike termination device for catenary lightning protection systems.

A.3.3.9 Flammable Air–Vapor Mixtures. The combustion range for ordinary petroleum products, such as gasoline, is from about 1½ percent to 7½ percent of vapor by volume, the remainder being air.

A.3.3.16 Lightning Protection System. The term refers to systems as described and detailed in this standard. A traditional lightning protection system used for ordinary structures is described in Chapter 4. Mast and catenary-type systems typically used for special occupancies and constructions are described in Chapter 7.

A.3.3.18.1 Class I Materials. See [Table 4.1.1.1\(A\)](#).

A.3.3.18.2 Class II Materials. See [Table 4.1.1.1\(B\)](#).

A.3.3.25 Suppressed Voltage Rating (SVR). A rating (or ratings) selected by the manufacturer based on the measured limiting voltage determined during the transient-voltage surge suppression test specified in UL 1449, *UL Standard for Safety Transient Voltage Surge Suppressors*. This rating is the maximum voltage developed when the SPD is exposed to a 500 A, 8/20 current limited waveform through the device. It is a specific measured limiting voltage rating assigned to a TVSS by testing done in accordance with UL 1449. Nominal SVR values include 330 V, 400 V, 500 V, 600 V, 700 V, and so forth.

A.3.3.29.1 Air Terminal. Typical air terminals are formed of a tube or solid rod. Air terminals are sometimes called *lightning rods*.

A.4.6.2 Recent experiments described by Moore et al. in the *Journal of Applied Meteorology* suggest that the optimal air terminal tip radius of curvature for interception of lightning strikes is 4.8 mm ($\frac{3}{16}$ in.) minimum to 12.7 mm ($\frac{1}{2}$ in.) maximum.

A.4.8.3 [Figure A.4.8.3](#) illustrates dormer protection.

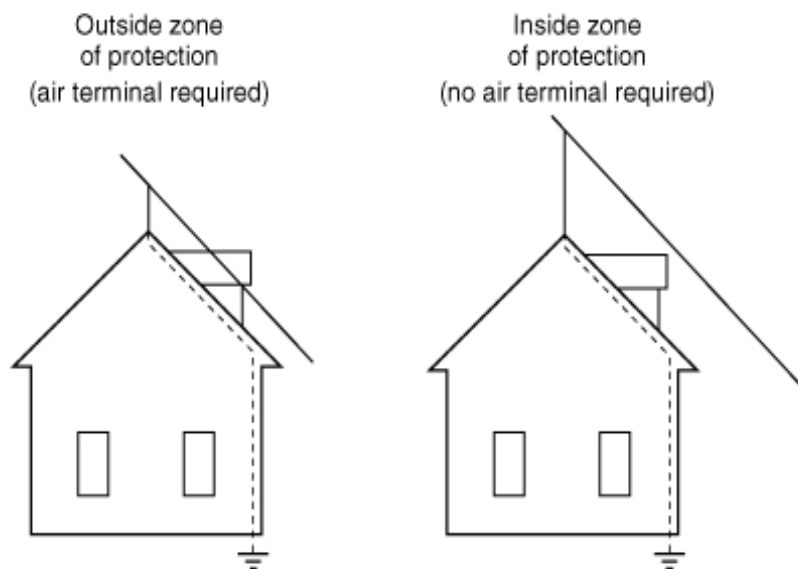


FIGURE A.4.8.3 Dormer Protection.

A.4.13.2 Research has been presented that warns that stainless steel is very susceptible to corrosion in many soil conditions. Extreme caution should be used with proper soil analysis where this type of rod is used. For further information, see NFPA 70, *National Electrical Code*[®], which contains detailed information on the grounding of electrical systems.

A.4.13.2.4 No benefit is gained from the second ground rod if placed closer than the length of the

longer rod. No additional benefit is gained if the second rod is placed over four times the length of the longer rod.

A.4.13.5 Radial augmentation of the grounding system specified in [4.13.5](#) and [4.13.8.2](#) by the use of one or more radial conductors is recommended. Radial conductors should be sized in accordance with the requirements for main conductors and installed in accordance with [4.13.8.1](#).

A.4.13.6 The 0.18 m² (2 ft²) surface area requirement can be accomplished by using a 0.09 m² (1 ft²) plate with both sides in contact with the earth.

A.4.13.8.1 For those instances in which it is necessary to install the grounding conductor directly on bedrock, it is recommended that main conductor solid strips be utilized. If there are locations along the length of the radial conductor in which there is sufficient soil available for the installation of an earth electrode, the installation of an additional earth electrode is encouraged.

A.4.18.1 Surge protection alone is not intended to prevent or limit physical damage from a direct lightning strike to a facility or structure. Rather, it is intended to defend against indirect lightning effects imposed upon the electrical services to a structure as part of a coordinated lightning protection system installed in accordance with the requirements of this standard.

Surge currents and their corresponding overvoltage transients can be coupled onto electrical utility feeders in a number of ways. These mechanisms include magnetic or capacitive coupling of a nearby strike or the more dramatic but much less frequent conductive coupling of a direct cloud-to-ground discharge. These overvoltage transients pose a significant threat to modern electrical and electronic equipment.

A.4.18.2 The SPD responds to surges by lowering its internal impedance so as to divert surge current to limit the voltage to its protective level — the measured limiting voltage. After the occurrence of surges, the SPD recovers to a high-impedance-state line-to-ground and extinguishes current to ground through the device when line voltage returns to normal. The SPD achieves these functions under normal service conditions. The normal service conditions are specified by the frequency of the system, voltage, load current, altitude (i.e., air pressure), humidity, and ambient air temperature.

A.4.18.2.2 Antennas are considered a part of conductive signal, data, and communication services.

A.4.18.2.5 Most services to facilities will require discrete surge suppression devices installed to protect against damaging surges. Occasionally, services will be located in an area or manner where the threat from lightning-induced surges and overvoltage transients may be negligible. For example, the requirements in [4.18.2.3](#) (*also see* [A.4.18.6.1](#)) exempt services less than 30 m (100 ft) in length that are run in grounded metal conduit between buildings requiring surge protection. These are examples of acceptable exceptions where SPDs may not be required on each service entrance. The standard recognizes that there can be acceptable exceptions and consequently allows for such exceptions to the requirements for surge suppression on electrical utility, data, and other signal lines, provided a competent engineering authority has determined that the threat is negligible or that the system is protected in a manner equivalent to surge suppression.

Allowance for the exemption of surge suppression at specific locations in this standard is not intended as a means to provide a broad exemption simply because surge suppression may be considered inconvenient to install. Rather, it recognizes that all possible circumstances and configurations, particularly those in specialized industries, cannot be covered by this standard.

Determinations made by an engineering authority for exempting installation of SPDs should focus on the likelihood of lightning activity in the region, the level of damage that may be incurred, and the potential loss to human life or essential services due to inadequate overvoltage protection.

Three methods of analysis are commonly used for this determination, although other equivalent analysis can be used. The three methods are the following: lightning flash density/risk analysis, plant/facility statistical or maintenance records, and lightning electromagnetic environmental analysis.

The lightning flash density/risk analysis is an analysis to determine the frequency of lightning activity

in the geographic area of the facility. As a rule of thumb, if the flash density exceeds one flash per square kilometer per year, surge suppression or other physical protection should be considered. Lightning energy can indirectly couple to services at ranges greater than 1 km, to create potentially damaging overvoltages.

Plant/facility statistical or maintenance records can also be used as a risk analysis. If these records can demonstrate the lack of damage on a service due to surges, it can be used to justify low risk of surge damage to a particular system or facility.

The lightning electromagnetic environment analysis starts with a threat electromagnetic field from a nearby lightning strike and computes the magnitude and rise-time characteristics of transients coupled into services feeding a structure or facility. Based on the computed threat, SPDs can be sized appropriately or omitted, as warranted. This analysis is typically performed for critical communications facilities and in military applications. Electromagnetic environments for such an analysis can be found in MIL-STD-464, *Interface Standard Electromagnetic Environmental Effects Requirements for Systems*, and IEC 61312-1, *Protection Against Lightning Electromagnetic Impulse*.

In all cases, the criticality of continued operation, potential life hazard to personnel and essential services, and the consequence of facility damage or shutdown should be factors in the analysis. If a hazardous condition results from a surge causing temporary shutdown without permanent damage (e.g., through the disabling of a computer or communication system), then the requirements for surge suppression as articulated by Section 4.18 should not be exempted.

A.4.18.3.1 SPDs are typically sized significantly greater than the expected challenge level. At service entries, it is generally agreed that a maximum discharge current (I_{max}) between 40 kA and 60 kA will provide adequate protection. However, larger ratings that protect against less probable but more powerful lightning events will usually provide a better capability to handle multiple strikes and will usually provide a longer service life. Rating the SPDs I_{max} higher than the minimums in this document is recommended in areas with frequent lightning.

Where installed, SPDs at branch panels or subpanels should have an I_{max} rating of 20 kA 8/20 or greater per phase.

Where installed, supplementary protection (also called point of utilization) SPDs should have an I_{max} rating of 10 kA 8/20 or greater per phase.

A.4.18.4 The measured limiting voltages of the SPD should be selected to limit damage to the service or equipment protected.

A.4.18.5 Surges can be induced upon any line entering a structure. There are several modes of protection.

Where installed, branch panels over 30 m (100 ft) from the service entrance should have L-G or L-N and N-G modes of protection. Additionally, L-L protection is also permitted (although this is usually achieved by the L-N modes across two phases). L-L protection is achieved by the L-N modes across two phases.

Several modes of protection are possible to minimize voltage differences between the individual conductors. They are as follows:

- (1) Line to line (L-L) protection places the SPD between the current-carrying conductors in a power system.
- (2) Line to neutral (L-N) places the SPD between the current-carrying conductors and the grounded conductor (neutral) in a power system.
- (3) Line to ground (L-G) places the SPD between the current-carrying conductors and the grounding conductor (ground) in a power system.
- (4) Neutral to ground (N-G) places the SPD between the grounded conductor (neutral) and the

grounding conductor (ground) in a power system. L-L, L-N, and N-G modes of protection are not required at the service entrance. This is because a neutral-ground bond is implemented at the service entrance.

- (5) *Common mode* is a term used in protecting telecommunications, data lines, and so forth. This mode places the SPD between the signal conductor and ground. It is analogous to L-G mode in power systems.
- (6) *Differential mode* is a term used in protecting telecommunications, data lines, and so forth. In this mode, an SPD is placed between the individual signal lines, analogous to the L-L mode of protection in power systems.

A.4.18.6.1 SPDs should be placed on both ends of external signal, data, and communication lines longer than 30 m (100 ft) connecting pieces of equipment or facilities, to protect against surges coupled into the wiring or caused by ground potential differences.

A.4.18.6.3.5 Differential mode protection should also be provided where practicable.

A.4.18.7.2 Longer, or looped, SPD ground conductors increase the impedance of the SPD ground circuit. The ability of the SPD to discharge current to ground is affected by this impedance. Consequently, it is essential to minimize impedance in this circuit.

A.4.18.7.4 Some SPD units are provided with a failure indicator. This feature is recommended since it facilitates maintenance or test procedures. Where used, this indicator should be visible. Building maintenance should consider periodic inspection or test of SPDs.

A.4.18.8 The SPD earth ground resistance is part of the total impedance of the SPD ground circuit. The ability of the SPD to discharge current to ground is affected by this impedance. Also, a lower ground resistance will minimize voltage differences of conductors attached to SPDs near the service entrance and reduce the chance of arcing or insulation breach. Consequently, it is essential to minimize impedance in this circuit.

A.4.19 See Annex [C](#) for a technical discussion of lightning protection potential-equalization bonding.

A.4.20.1 For structures 18 m (60 ft) or less in height, a loop conductor should be provided for the interconnection of all ground terminals and other grounded media. Regardless of the building height, ground loop conductors should be installed underground in contact with earth. Ground-level potential equalization allows use of a ground ring electrode as a ground loop conductor. A ground ring electrode conforming to [4.13.4](#) can be utilized for the ground loop conductor.

A.4.20.2 In the case of flat or gently sloping roofs, the roof conductors required by [4.9.7](#) can be used for achieving roof-level potential equalization. In the case of pitched roofs, the interconnection should be a loop placed at the eave level.

A.4.21.3 In addition to the bonding of metal bodies, surge suppression should be provided to protect power, communication, and data lines from dangerous overvoltages and sparks caused by the lightning strikes. (See Annex [C](#) for a discussion of bonding and an understanding of problems often encountered.)

A.6.9 A ground grid located within 15 m (50 ft) of the foundation of a stack and constructed of wires meeting the requirements of this standard for main conductors is a permitted ground terminal and, if the stack is located within 15 m (50 ft) of the grid in all directions, can also serve as the bottom loop conductor required by [6.4.2](#).

A.7.1.1 Flammable vapors can emanate from a flammable liquid [flash point below 37.8°C (100°F)] or a combustible liquid [flash point at or above 37.8°C (100°F)] when the temperature of the liquid is at or above its flash point. Chapter [7](#) applies to these liquids when they are stored at atmospheric pressure and ambient temperature. Provided that the temperature of the liquid remains below the flash point, combustible liquids stored under these conditions will not normally release significant vapors since their flash point is defined to be at or above 37.8°C (100°F).

Metallic tanks, vessels, and process equipment that contain flammable or combustible liquids or flammable gases under pressure normally do not require lightning protection since this equipment is well shielded from lightning strikes. Equipment of this type is normally well grounded and is thick enough not to be punctured by a direct strike.

This chapter applies to flammable or combustible liquids such as gasoline, diesel, jet fuel, fuel oil, or crude oil stored at atmospheric pressure. It does not apply to liquids or gases stored under pressure, such as liquefied natural gases or liquefied petroleum gases.

A.7.1.3 Chapters [4](#), [5](#), and [6](#) of this standard give requirements for the protection of buildings and miscellaneous property against lightning damage.

A.7.3.3.8 The sideflash formulas are based on the impedance of main-size copper conductors. Other ground wire materials can require additional separation distance.

A.7.4.1.2 Fires have occurred when lightning has struck the rims of open-top floating-roof tanks where the roofs were quite high and the contents volatile. Above-the-seal fires have occurred when direct lightning strokes to the rims of floating-roof tanks have ignited flammable vapors within the open shells. These have occurred where roofs were low. The resulting seal fires have been at small leakage points in the seal. An effective defense against ignition by a direct stroke is a tight seal.

Fires have also occurred in the seal space of open-top floating-roof tanks as a result of discharges caused by lightning. These have occurred most frequently in tanks having floating roofs and seals with vapor spaces below the flexible membranes. Vapor spaces will be formed where tanks are fitted with secondary seals in compliance with environmental regulations. Ignition can be from a direct stroke or from the sudden discharge of an induced (bound) charge on the floating roof, released when the charge on a cloud discharges to ground or to another cloud.

A.8.1.3 See Annex [M](#) for information on personnel safety.

A.8.2.3 See Table 9.13.5(a) of [NFPA 302](#), *Fire Protection Standard for Pleasure and Commercial Motor Craft*, for minimum strand sizes for watercraft conductors.

A.8.3.6.3 A solid stainless steel whip antenna or equivalent can be used because of its higher melting temperature; however, it does not provide as low a resistance as a 4 AWG copper conductor.

A.8.4.4 Sideflash distances can be calculated using the formulas provided in Section [4.21](#). Sideflashes are more likely to occur if the routing of the lightning conductor is horizontal for some distance and if the metallic object provides a relatively direct path to ground.

A.8.6.2 Seacocks are particularly susceptible to damage and leaking after a strike and should be inspected after all suspected strikes.

A.8.7.2 At the approach of a thunderstorm, personnel should head for shore and quickly seek a land-based protected structure. There are many methods available by which lightning can be detected. These methods range from listening for static on AM radios, to single-station detection devices, to sophisticated lightning location systems.

NEXT CHAPTER

Annex B Principles of Lightning Protection

This annex is not a part of the requirements of this NFPA document but is included for informational purposes only.

B.1 Fundamental Principles of Lightning Protection.

B.1.1 The fundamental principle in the protection of life and property against lightning is to provide a means by which a lightning discharge can enter or leave the earth without resulting damage or loss. A low impedance path that the discharge current will follow in preference to all alternative high impedance paths offered by building materials such as wood, brick, tile, stone, or concrete should be offered. When lightning follows the higher impedance paths, damage can be caused by the heat and mechanical forces generated during the passage of the discharge. Most metals, being good electrical conductors, are virtually unaffected by either the heat or the mechanical forces if they are of sufficient size to carry the current that can be expected. The metallic path must be continuous from the ground terminal to the strike termination device. Care should be exercised in the selection of metal conductors to ensure the integrity of the lightning conductor for an extended period. A nonferrous metal such as copper or aluminum will provide, in most atmospheres, a lasting conductor free of the effects of rust or corrosion.

B.1.2 Parts of structures most likely to be struck by lightning are those that project above surrounding parts such as chimneys, ventilators, flagpoles, towers, water tanks, spires, steeples, deck railings, shafthouses, gables, skylights, dormers, ridges, and parapets. The edges and corners of the roof are the parts most likely to be struck on flat or gently sloping roofed buildings.

B.2 Lightning Protection Systems.

B.2.1 Lightning protection systems consist of the following three basic parts that provide the low impedance metal path required:

- (1) A system of strike termination devices on the roof and other elevated locations
- (2) A system of ground terminals
- (3) A conductor system connecting the strike termination devices to the ground terminals

Properly located and installed, these basic components improve the likelihood that the lightning discharge will be conducted harmlessly between the strike termination devices and the ground terminals.

B.2.2 While intercepting, conducting, and dissipating the main discharge, the three basic protection system components do not ensure safety from possible secondary effects of a lightning strike. Therefore, secondary conductors are provided to interconnect metal bodies to ensure that such metal bodies are maintained at the same electrical potential so as to prevent sideflashes or spark-over. Surge suppression devices are also provided to protect power lines and associated equipment from both direct discharges and induced currents.

B.2.3 Metal parts of a structure can be used as part of the lightning protection system in some cases. For example, the structural metal framing, which has sufficient cross-sectional area to equal the conductivity of main lightning conductors, and which is electrically continuous, can be used in lieu of separate down conductors. In such cases, air terminals can be bonded to the framework at the top, and ground terminals can be provided at the bottom, as described elsewhere in this standard. Structures with 4.8 mm ($\frac{3}{16}$ in.) thick, or thicker, metal shells or skins that are electrically continuous might not require a system of air terminals and down conductors.

B.3 Items to Consider When Planning Protection.

B.3.1 The best time to design a lightning protection system for a structure is during the structure's design phase, and the best time to install the system can be during construction. System components can be built in so as to be protected from mechanical displacement and environmental effects. In addition, aesthetic advantages might be gained by such concealment. Generally, it is less expensive to meet lightning protection requirements during construction.

B.3.2 The structure should be examined, and installation of air terminals should be planned for all areas or parts likely to receive a lightning discharge. The object is to intercept the discharge immediately above the parts liable to be struck and to provide a direct path to earth, rather than to attempt to divert the discharge in a direction it would not be likely to take. The air terminals should be placed high enough above the structure to obviate danger of fire from the arc.

B.3.3 Conductors should be installed to offer the least impedance to the passage of stroke current between the strike termination devices and earth. The most direct path, without sharp bends or narrow loops, is best. The impedance of the conductor system is practically inversely proportional to the number of widely separated paths. Accordingly, there should be at least two paths to ground and more, if practicable, from each strike termination device. The number of paths is increased and the impedance decreased by connecting the conductors to form a cage enclosing the building.

B.3.4 Properly made ground connections are essential to the effective functioning of a lightning protection system, and every effort should be made to provide ample contact with the earth. This does not necessarily mean that the resistance of the ground connection should be low, but rather that the distribution of metal in the earth or upon its surface in extreme cases should be such as to permit the dissipation of a stroke of lightning without damage.

B.3.5 Low resistance is desirable, but not essential, as can be shown by the extreme case on the one hand of a building resting on moist clay soil and on the other by a building resting on bare solid rock. In the first case, if the soil is of normal resistivity or from 4000 ohm-centimeters to 50,000 ohm-centimeters, the resistance of a ground connection made by extending the conductor 3 m (10 ft) into the ground will be from about 15 ohms to 200 ohms, and two such ground connections on a small rectangular building have been found by experience to be sufficient. Under these favorable conditions, providing adequate means for collecting and dissipating the energy of a flash without serious chance of damage is a simple and comparatively inexpensive matter.

B.3.6 In the second case, it would be impossible to make a ground connection in the ordinary sense of the term because most kinds of rocks are insulating or at least of high resistivity, and in order to obtain effective grounding other more elaborate means are necessary. The most effective means would be an extensive wire network laid on the surface of the rock surrounding the building to which the down conductors could be connected. The resistance to earth at some distant point of such an arrangement would be high, but at the same time the potential distribution about the building would be substantially the same, as though it were resting on conducting soil, and the resulting protective effect also would be substantially the same.

B.3.7 In general, the extent of the grounding arrangements will depend on the character of the soil, ranging from simple extension of the conductor into the ground where the soil is deep and of high conductivity to an elaborate buried network where the soil is very dry or of very poor conductivity. Where a network is required, it should be buried if there is soil enough to permit it, as this adds to its effectiveness. Its extent will be determined largely by the judgment of the person planning the installation with due regard to the following rule: The more extensive the underground metal available, the more effective the protection.

B.3.8 Where practicable, each ground terminal connection should extend or have a branch that extends below and at least 0.6 m (2 ft) away from the foundation walls of the building in order to minimize the likelihood of damage to foundation walls, footings, and stemwalls.

B.3.9 When a lightning conductor system is placed on a building, within or about which there are

metal objects of considerable size within a few feet of a conductor, there will be a tendency for sparks or sideflashes to jump between the metal object and the conductor. To prevent damage, interconnecting conductors should be provided at all places where sideflashes are likely to occur.

B.3.10 Lightning currents entering protected buildings on overhead or underground power lines, telephone conductors, or television or radio antennas are not necessarily restricted to associated wiring systems and appliances. Therefore, such systems should be equipped with appropriate protective devices and bonded to ensure a common potential.

B.3.11 Because a lightning protection system is expected to remain in working condition for long periods with minimum attention, the mechanical construction should be strong and the materials used should offer resistance to corrosion and mechanical injury.

B.4 Inspection and Maintenance of Lightning Protection Systems.

It has been shown that in cases where damage has occurred to a protected structure, the damage was due to additions or repairs to the building or to deterioration or mechanical damage that was allowed to go undetected and unrepaired, or both. Therefore, it is recommended that an annual visual inspection be made and that the system be thoroughly inspected every five years.

B.5 Indirect Losses.

In addition to direct losses such as destruction of buildings by lightning, fire resulting from lightning, and the killing of livestock, indirect losses sometimes accompany the destruction or damage of buildings and their contents. An interruption to business or farming operations, especially at certain times of the year, might involve losses quite distinct from, and in addition to, the losses arising from the direct destruction of material property. There are cases where whole communities depend on the integrity of a single structure for their safety and comfort. For example, a community might depend on a water-pumping plant, a telephone relay station, a police station, or a fire station. A stroke of lightning to the unprotected chimney of a pumping plant might have serious consequences such as a lack of sanitary drinking water, irrigating water, or water for fire protection. Additional information on this topic is available in the IEC documents identified in [N.1.2.1](#).

NEXT CHAPTER

Annex C Explanation of Bonding Principles

This annex is not a part of the requirements of this NFPA document but is included for informational purposes only.

C.1 General.

Lightning strikes can give rise to harmful potential differences in and on a building. The major concern in the protection of a building is the occurrence of potential differences between the conductors of the lightning protection system and other grounded metal bodies and wires belonging to the building.

These potential differences are caused by resistive and inductive effects and can be of such a magnitude that dangerous sparking can occur. In order to reduce the possibility of sparking, it is necessary to equalize potentials by bonding grounded metal bodies to the lightning protection system.

When installing (or modifying) lightning protection systems on existing structures, bonding of certain grounded metal bodies can present difficult installation problems due to the inaccessibility of building systems. Placement of conductors to avoid grounded metal bodies or increasing the number of down conductors to shorten the required bonding distances are options to overcome these problems.

C.2 Potential Differences.

[Figure C.2](#) illustrates the generation of potential differences between conductors of the lightning protection system and other grounded metal bodies and wires.

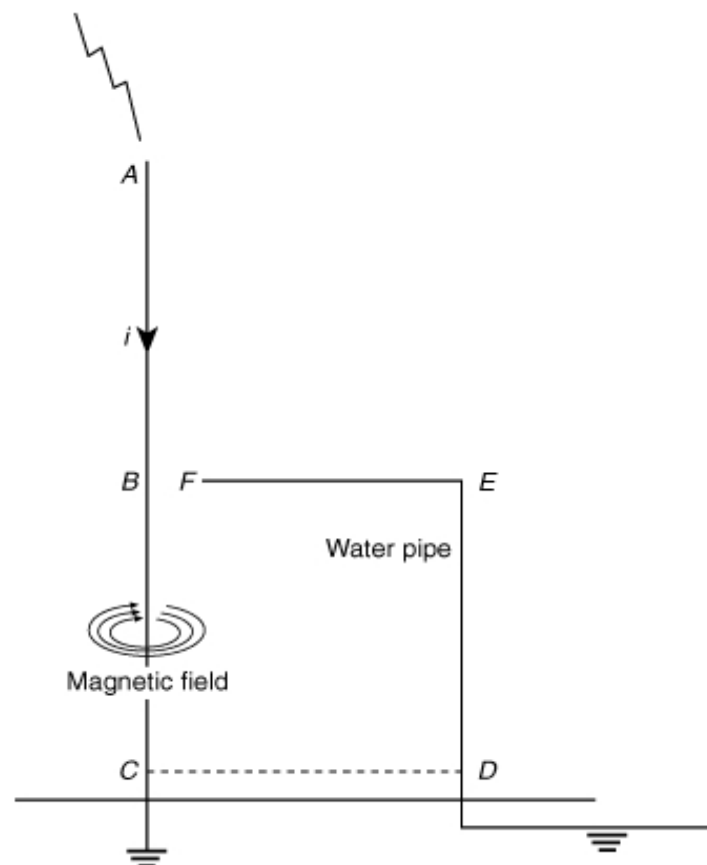


FIGURE C.2 The Magnetic Field Around a Conductor.

C.2.1 Resistive Effect. In the situation where conductor *C* is connected only to a ground terminal and

the water pipe is independently grounded, a large potential can exist between *B* and *F*. Assuming a resistance of 20 ohms between *C* and ground and a lightning current of 100,000 amps, then Ohm's law (voltage = current \times resistance) indicates that a potential of 2 million volts exists on conductor *ABC*. Because no current is initially passing through the water pipe, its potential is zero volts. The difference of potential of 2 million volts between *B* and *F* is sufficient for a sideflash of over 1.8 m (6 ft). In order to reduce this potential difference to zero, this standard requires equalization of potentials at ground level in accordance with [4.20.1](#). Such a bond is shown as *CD* in [Figure C.2](#).

With bond *CD* in position, the resistance between *B* and *F* is essentially zero; hence during a lightning strike the potential at *B* due to the resistive effect is similar to that at *F*. Therefore, the resistive effect can be neglected for bonding purposes.

C.2.2 Inductive Effect. When a large current passes down the lightning conductor *ABC*, a magnetic field is generated in circular motion around the conductor as shown in [Figure C.2](#). The higher the lightning current, the higher the magnetic field. These magnetic field lines can be referred to as *magnetic flux*.

The loop *BCDEF* is intercepted by these lines of magnetic flux. The rate of change of the flux passing through this loop induces a voltage in the loop, creating a potential difference between *B* and *F*. This potential difference can be in the order of a few million volts, again causing a sideflash.

The bonding techniques described in this standard call for bonding the gaps, such as *BF*, over which high potentials exist in order to remove the spark and provide a safe path to ground for the current. The bonding-distance formulas are calculated from the laws of physics, making assumptions on the relevant lightning characteristics that influence the induced voltage. The assumptions for this standard are based on an extremely severe lightning current, thereby providing a bonding distance that is almost totally protective.

The voltage across the gap *BF* is related to the size of the loop *BCDEF* but dominantly to the height *BC* rather than *CD*; hence the height *h* term in the formulas of [4.21.2](#). Equalizing the potentials at frequent heights in accordance with [Section 4.20](#) also reduces the size of the loop *BCDEF*, thereby keeping the gap voltage to a controllable value that can be removed by simple bonding.

C.2.3 Power and Communications Services. One factor that is difficult to control is the problem related to power and communication lines entering the building. For all intents, such lines are at ground potential relative to the extremely high induced voltages. If the line *DEF* were such an electrical, telephone, power, or data line not bonded at ground, the voltage across the loop would be enhanced by the resistive effect described by Ohm's law as well as by the inductive effect. Hence, *BF* could soon approach breakdown. This would lead to sparks causing fire as well as the obvious electrical, electronic, and human life problems. All such lines entering the building should have electrical bonding through surge protection as specified in [Section 4.18](#), thereby reducing the resistive component and controlling dangerous sparking and damage. If just one wire, however, does not have such suppression devices, the dangers described still exist, even to the protected building and the electrical equipment. [Table C.2.3](#) shows sample calculations.

Table C.2.3 Sample Calculations of Bonding Distances

<i>h</i> (ft)	K_m	<i>D</i>		
		<i>n</i> = 1.0	<i>n</i> = 1.5	<i>n</i> = 2.25
10	1.0	1 ft 8 in.	1 ft 1 $\frac{3}{8}$ in.	9 in.
	0.5	10 in.	6 $\frac{3}{4}$ in.	4 $\frac{1}{2}$ in.

20	1.0	3 ft 4 in.	2 ft 2 $\frac{3}{4}$ in.	1 ft 6 in.
	0.5	1 ft 8 in.	1 ft 1 $\frac{3}{8}$ in.	9 in.
30	1.0	5 ft 0 in.	3 ft 4 in.	2 ft 2 $\frac{3}{4}$ in.
	0.5	2 ft 6 in.	1 ft 8 in.	1 ft 1 $\frac{3}{8}$ in.
40	1.0	6 ft 8 in.	4 ft 6 in.	3 ft
	0.5	3 ft 4 in.	2 ft 3 in.	1 ft 6 in.

C.2.4 Reduction of Potential Difference. In order to reduce the voltage across the gap BF , so as to make bonding less necessary, it is possible to provide more down conductors. This standard requires down conductors every 30 m (100 ft) (see 4.9.10), but the number of down conductors, n , required in the bonding formulas of 4.21.2 is restricted. It can be shown theoretically for structures less than 18 m (60 ft) in height that for a series of planar down conductors spaced 15 m (50 ft) apart, n can be no bigger than 1.5; and for a similar three-dimensional situation, n can be no bigger than 2.25. These values of n also apply to the upper 18 m (60 ft) of a tall structure. As the lightning current passes into the lower portion of a tall structure, however, the value of n must be calculated on the assumption that the current flow down the structure is much more symmetrical through the down conductors. This assumption implies that for all but the upper 18 m (60 ft) of a structure the bonding distance can be calculated from a formula involving a larger value of n , as shown in 4.21.2.

C.2.5 Sideflash. Sideflashing can easily occur to grounded objects within the building. The intensity of the electric field in air is greater than that in concrete by approximately a factor of 2, allowing for a reduction of the sideflash distance through a wall cavity.

If an individual touches a correctly bonded connection within the building, he or she should suffer no harm. This scenario is similar to that of a bird sitting on a high-voltage wire unaware that the bird's potential is changing from over a thousand volts positive to over a thousand volts negative several times a second.

NEXT CHAPTER

Annex D Inspection and Maintenance of Lightning Protection Systems

This annex is not a part of the requirements of this NFPA document but is included for informational purposes only.

D.1 Inspection of Lightning Protection Systems.

D.1.1 Frequency of Inspections. It is understood that all new lightning protection systems must be inspected following completion of their installation. Recommended guidelines for the maintenance of the lightning protection system should be provided to the owner at the completion of installation.

It is important to make periodic inspections of existing systems. The interval between inspections should be determined by factors such as the following:

- (1) Classification of structure or area protected
- (2) Level of protection afforded by the system
- (3) Immediate environment (corrosive atmospheres)
- (4) Materials from which components are made
- (5) Type of surface to which the lightning protection components are attached
- (6) Trouble reports or complaints

D.1.1.1 In addition to regular periodic inspections, a lightning protection system should be inspected whenever any alterations or repairs are made to a protected structure, as well as following any known lightning discharge to the system.

D.1.1.2 It is recommended that lightning protection systems be visually inspected at least annually. In some areas where severe climatic changes occur, it might be advisable to visually inspect systems semiannually or following extreme changes in ambient temperatures. Complete, in-depth inspections of all systems should be completed every 3 to 5 years. It is recommended that critical systems be inspected every 1 to 3 years depending on occupancy or the environment where the protected structure is located.

D.1.1.3 In most geographical areas, and especially in areas that experience extreme seasonal changes in temperature and rainfall, it is advisable to stagger inspections so that earth resistance measurements, for example, are made in the hot, dry months as well as the cool, wet months. Such staggering of inspections and testing is important in assessing the effectiveness of the lightning protection system during the various seasons throughout the year.

D.1.2 Visual Inspection. Visual inspections are made to ascertain the following:

- (1) The system is in good repair.
- (2) There are no loose connections that might result in high-resistance joints.
- (3) No part of the system has been weakened by corrosion or vibration.
- (4) All down conductors and ground terminals are intact (nonsevered).
- (5) All conductors and system components are fastened securely to their mounting surfaces and are protected against accidental mechanical displacement as required.
- (6) There have not been additions or alterations to the protected structure that would require additional protection.
- (7) There is no visual indication of damage to surge suppression (overvoltage) devices.
- (8) The system complies in all respects with the current edition of this standard.

D.1.3 Complete Testing and Inspection. Complete testing and inspection includes the visual

inspections described in [D.1.2](#) and the following:

- (1) Tests to verify continuity of those parts of the system that were concealed (built in) during the initial installation and that are not now available for visual inspection.
- (2) Ground resistance tests of the ground termination system and its individual ground electrodes, if adequate disconnecting means have been provided. These test results should be compared with previous or original results or current accepted values, or both, for the soil conditions involved. If it is found that the test values differ substantially from previous values obtained under the same test procedures, additional investigations should be made to determine the reason for the difference.
- (3) Continuity tests to determine if suitable equipotential bonding has been established for any new services or constructions that have been added to the interior of the structure since the last inspection.

D.1.4 Inspection Guides and Records. Inspection guides or forms should be prepared and made available to the authority responsible for conducting inspections of lightning protection systems. These guides should contain sufficient information to guide the inspector through the inspection process so that he or she can document all areas of importance relating to the methods of installation, the type and condition of system components, test methods, and the proper recording of the test data obtained.

D.1.5 Records and Test Data. The inspector or inspection authority should compile and maintain records pertaining to the following:

- (1) General condition of air terminals, conductors, and other components
- (2) General condition of corrosion-protection measures
- (3) Security of attachment of conductors and components
- (4) Resistance measurements of various parts of the ground terminal system
- (5) Any variations from the requirements contained in this standard

D.2 Maintenance of Lightning Protection Systems.

D.2.1 General. Maintenance of a lightning protection system is extremely important even though the lightning protection design engineer has taken special precautions to provide corrosion protection and has sized the components according to their particular exposure to lightning damage. Many system components tend to lose their effectiveness over the years because of corrosion factors, weather-related damage, and stroke damage. The physical as well as the electrical characteristics of the lightning protection system must be maintained in order to maintain compliance with design requirements.

D.2.2 Maintenance Procedures.

D.2.2.1 Periodic maintenance programs should be established for all lightning protection systems. The frequency of maintenance procedures is dependent on the following:

- (1) Weather-related degradation
- (2) Frequency of stroke damage
- (3) Protection level required
- (4) Exposure to stroke damage

D.2.2.2 Lightning protection system maintenance procedures should be established for each system and should become a part of the overall maintenance program for the structure that it protects.

A maintenance program should contain a list of more or less routine items that can serve as a checklist and establish a definite maintenance procedure that can be followed regularly. It is the repeatability of the procedures that enhances the effectiveness of a good maintenance program.

A good maintenance program should contain provisions for the following:

- (1) Inspection of all conductors and system components
- (2) Tightening of all clamps and splicers
- (3) Measurement of lightning protection system resistance
- (4) Measurement of resistance of ground terminals
- (5) Inspection or testing, or both, of surge suppression devices to determine their effectiveness compared with similar new devices
- (6) Refastening and tightening of components and conductors as required
- (7) Inspection and testing as required to determine if the effectiveness of the lightning protection system has been altered due to additions to, or changes in, the structure

D.2.3 Maintenance Records. Complete records should be kept of all maintenance procedures and routines and should include corrective actions that have been or will be taken. Such records provide a means of evaluating system components and their installation. They also serve as a basis for reviewing maintenance procedures as well as updating preventive maintenance programs.

NEXT CHAPTER

Annex E Ground Measurement Techniques

This annex is not a part of the requirements of this NFPA document but is included for informational purposes only.

E.1 General.

E.1.1 In order to determine the ground resistance of a lightning protection system, it is necessary to remove it from any other ground connection. This can prove a virtually impossible task, necessitating certain assumptions. In reality, ground resistance-measuring equipment works at low frequencies relative to the lightning discharge. The resistance it computes is therefore often affected by the resistance of power-system ground electrodes or a similar ground medium that can be several thousand feet from the structure being protected. The ground resistance to be used to calculate lightning conductor potentials when a high-frequency lightning discharge strikes a building must be the grounds in the immediate area of the building, not the remote ones that ground-measuring equipment probably monitor.

E.1.2 If the building is small, and the lightning protection system can be disconnected totally from any other grounding network, its resistance can be measured by the three-point technique described in [E.1.3](#). If the building is large or cannot be disconnected totally from any other grounding network, then the ground resistance of individual isolated lightning protection ground rods should be measured by the three-point technique described in [E.1.3](#) and this resistance multiplied by a factor depending on the number of ground rods.

E.1.3 The principle of ground resistance measurement is shown in [Figure E.1.3](#). L is the lightning ground rod or ground rod system, P is a test probe, and A is an auxiliary current probe. M is the standard ac measuring equipment for three-point technique ground resistance measurements. Convenient distances for LP and LA are 23 m (75 ft) and 36 m (120 ft), respectively. In general, P should be at 62 percent of the distance from L to A . If 36 m (120 ft) is not convenient, it could be increased significantly [or reduced to no less than 15 m (50 ft)], provided LP is increased proportionately.

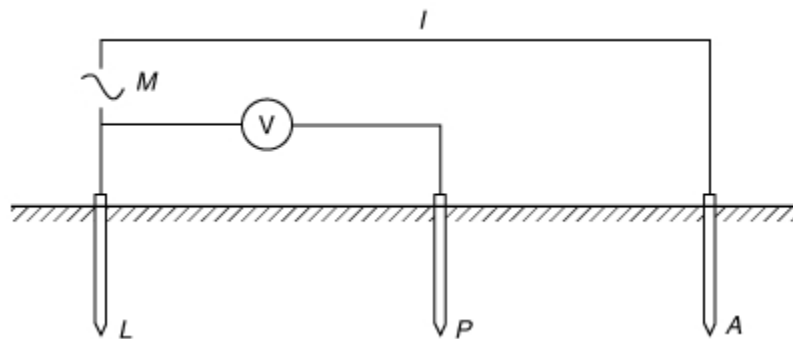


FIGURE E.1.3 Measurement of Ground Resistance.

A current, I , is passed through the electrode or electrodes to be tested, L , and through an auxiliary probe, A . The distance, LA , is long compared to the electrode length. The voltage, V , between L and P is measured by the test equipment, which also monitors I and calculates the ground resistance, R , as V/I . Alternating current is used to avoid errors due to electrolytic factors in the soil and to remove effects due to stray currents.

Three-point ground resistance-measuring equipment using these principles is relatively inexpensive and allows direct reading of R .

E.1.4 Variations in soil resistivity due to temperature and moisture fluctuations can affect the

measured ground resistance. A good designer will measure ground resistance under average or high resistivity conditions in order to design a lightning protection system to function adequately.

If the building ground is complex in nature, the resistance of single ground rods can be measured and certain assumptions made. The average single ground rod resistance, R_m , must be multiplied by a factor depending on the number of lightning protection ground rods, n , spaced at least 10.7 m (35 ft) apart.

The total system ground resistance, R , can be calculated from the formula:

$$R = 1.1 \left(\frac{R_m}{n} \right)$$

where:

R = total system ground resistance

R_m = average single ground rod resistance

n = number of lightning protection ground rods

NEXT CHAPTER

Annex F Protection for Trees

This annex is not a part of the requirements of this NFPA document but is included for informational purposes only.

F.1 General.

Trees with trunks within 3 m (10 ft) of a structure or with branches that extend to a height above the structure should be equipped with a lightning protection system because of the danger of sideflash, fire, or superheating of the moisture in the tree, which could result in the splintering of the tree. It might be desirable to equip other trees with a lightning protection system because of the tree's particular value to the owner. [Figure F.1](#) illustrates such protection.

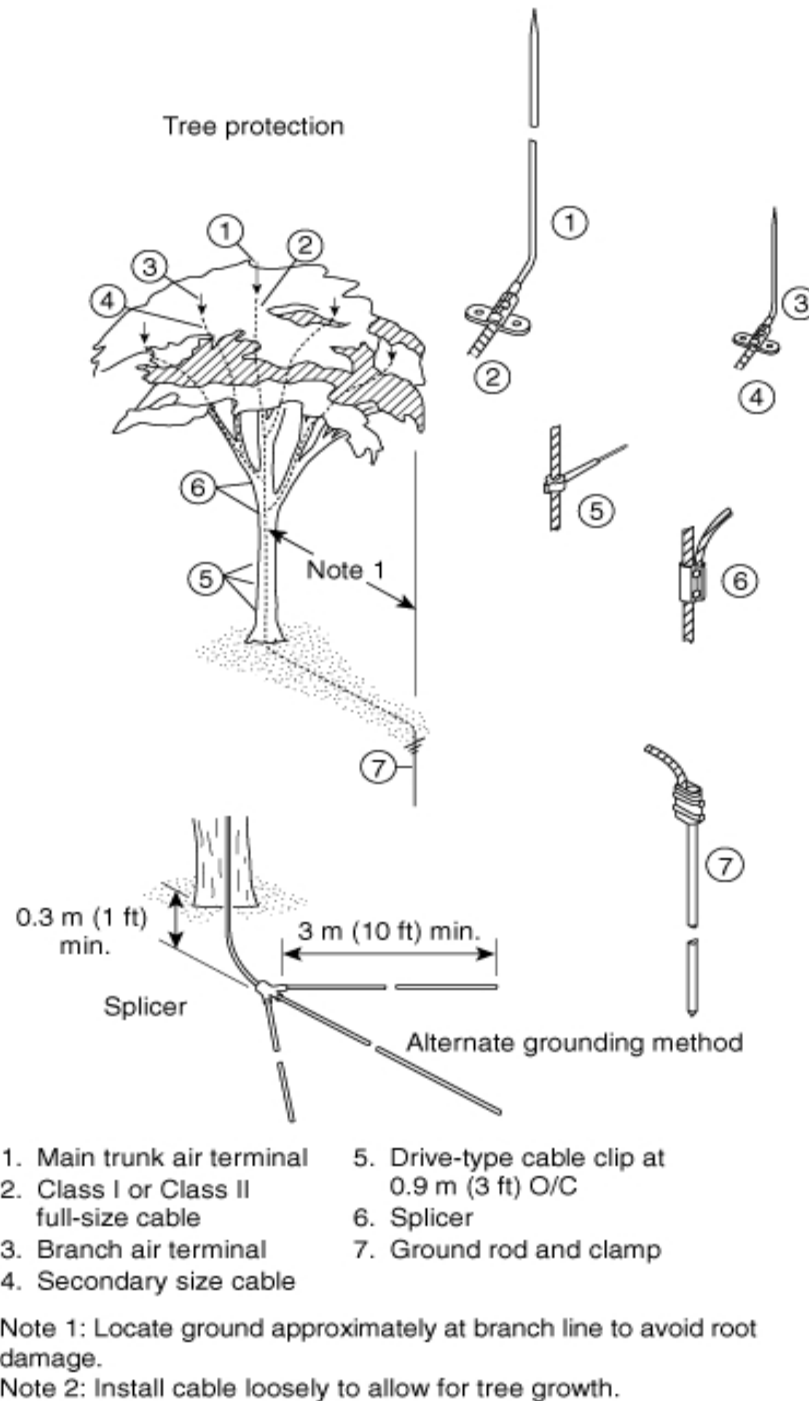


FIGURE F.1 Protection for Trees.

Note that it should not be inferred that adding protection to a tree will ensure the safety of people seeking shelter under the tree during a thunderstorm. Possible sideflashes, step potential, and touch potentials could threaten the safety of personnel seeking shelter under trees even if the trees are protected.

F.2 Methods and Materials.

F.2.1 Conductors. Conductors should conform to the requirements of Chapter 4.

F.2.2 Coursing of Conductors. A single conductor should be run from the highest part of the tree along the trunk to a ground connection. If the tree is forked, branch conductors should be extended to the highest parts of the principal limbs. If the tree trunk is 0.9 m (3 ft) in diameter or larger, two down conductors should be run on opposite sides of the trunk and interconnected.

F.2.3 Air Terminals. The conductors should be extended to the highest part of the tree, terminating with an air terminal.

F.2.4 Attachment of Conductors. Conductors should be attached to the tree securely in such a way as to allow for swaying in the wind and growth without danger of breakage.

F.2.5 Ground Terminals. Ground terminals for conductors should be in accordance with the following:

- (1) Be connected to all conductors that descend the trunk of the tree, extend three or more radial conductors in trenches 0.3 m (1 ft) deep, and be spaced at equal intervals about the base to a distance of not less than 3 m (10 ft) or a single driven rod installed outside the drip line of the tree. (See *Figure F.1.*)
- (2) Have the radial conductors extended to the branch line not less than 7.6 m (25 ft).
- (3) Have the out ends connected to the radial conductors with a conductor that encircles the tree at a depth of not less than 0.3 m (1 ft).
- (4) Be bonded to an underground metallic water pipe where available within 7.6 m (25 ft) of the branch line.

NEXT CHAPTER

Annex G Protection for Picnic Grounds, Playgrounds, Ball Parks, and Other Open Places

This annex is not a part of the requirements of this NFPA document but is included for informational purposes only.

G.1 Picnic Grounds and Playgrounds.

Protection from lightning can be provided by the methods indicated in [G.1.1](#) or [G.1.2](#).

G.1.1 Design concerns for lightning protection systems on open shelters include the following:

- (1) Step potential
- (2) Touch potential
- (3) Sideflash to personnel

Lightning protection systems for open shelters should conform to the requirements of Chapter 5 with the guidance given in [G.1.1.1](#) through [G.1.1.3](#).

G.1.1.1 Step Potential Reduction. Establishment of an electrically equipotential plane is desired to reduce step potential within the shelter perimeter. This can be accomplished by installation of a grounding grid or other equivalent method, as follows:

- (1) Concrete-floor shelters might need no additional enhancement. However, for new construction, it is desirable to establish a grid below the surface of the concrete that should be bonded to the down-conductor system and the grounding system.
- (2) Wood floors, or other essentially insulating flooring materials, should also have a grid installed as described in [G.1.1.3](#).
- (3) Earth-floored shelters should also have a grid installed as described in [G.1.1.3](#).

G.1.1.2 Sideflash and Touch Potential Reduction. Additional measures to reduce the possibility of sideflash and touch potential within the structure include the following:

- (1) Providing down conductors at each corner of a structure (four for a typical rectangular structure). Structures of irregular shape or with many sides should use no fewer than four down conductors if it is impractical to install one at each corner.
- (2) Shielding down conductors to at least 2.4 m (8 ft) in height with electrically insulating material that is resistant to climatic conditions and impact. Where structural steel framework is used, electrical insulation of the structural steel is less critical due to the typically larger size of the structural steel framework and its lower inductive reactance. Insulation of the structural steel framework will further reduce the probability of sideflash and touch potential hazards.
- (3) Bonding structural steel to the ground terminal.

G.1.1.3 Grounding. Grounding terminations should be installed as specified in Chapter 4 with the following additional guidance:

- (1) For existing concrete floors, a ground ring should be installed. As an additional precaution, radial grounding should be installed. As an additional precaution, radial grounding is recommended at points around the periphery.
- (2) The grounding grid should be constructed of main-size interconnected copper conductors at no greater than 1 m (3.3 ft) spacing between conductors. The periphery of the grid should be interconnected. Burial of the grid should be no less than 152 mm (6 in.) and no greater than 459 mm (18 in.).
- (3) The grid perimeter should be connected to ground terminals with radial grounding extensions

recommended.

G.1.2 Masts and Overhead Ground Wires. Masts (poles) on opposite sides of the grounds and near the edges should be erected. Overhead wires should be strung between the masts at least 6 m (20 ft) above the ground level. Down conductors should be connected to the overhead wires with ground terminals. Down conductors should be shielded with material resistant to impact and climate conditions to at least a 2.4 m (8 ft) height. The wires should be not less than 4 AWG copper or equivalent. Where steel masts are used, down leads are not necessary, but the foot of the mast should be grounded. If the area to be protected is extensive, it might be necessary to erect several masts around the perimeter so that the area is covered by a network of wires to form a zone of protection. *[See [Figure 7.3.3.2](#) for an example.]*

G.2 Ball Parks and Racetracks.

G.2.1 Roofed Grandstands. Roofed grandstands are included within the scope of this standard.

G.2.2 Open Grandstands and Open Spectator Areas. Open grandstands and open spectator areas should be provided with masts and overhead ground wires as described in [G.1.2](#).

G.3 Beaches.

Beaches should be provided with shelters as described in [G.1.1](#).

G.4 Piers.

G.4.1 Covered Piers. Covered piers are included within the scope of this standard.

G.4.2 Open Piers. Open piers should be provided with masts and overhead ground wires as described in [G.1.2](#).

NEXT CHAPTER

Annex H Protection for Livestock in Fields

This annex is not a part of the requirements of this NFPA document but is included for informational purposes only.

H.1 General.

H.1.1 The nature of the exposure of livestock in fields is such that it is not possible to eliminate the hazard entirely. However, application of the recommendations contained in this annex can minimize the hazard.

H.1.2 The loss of livestock due to lightning during thunderstorms is caused in large measure by herds congregating under isolated trees in open pastures or drifting against ungrounded wire fences and receiving a sufficient discharge to kill them.

H.1.3 In pastures where shelter is available from wooded areas of considerable size, isolated trees should be removed.

H.1.4 Fences built with metal posts set in the earth are as safe from lightning as it is practical to make them, especially if the electrical continuity is broken. Breaking the electrical continuity is very useful in that it reduces the possibility of a lightning stroke affecting the entire length of a fence, as is possible if the stroke is direct and the fence continuous, even though it might be grounded. The fences that give rise to the most trouble are those constructed with posts of poorly conducting material, such as wood.

H.2 Grounding of Wire Fences.

H.2.1 Nonconductive Posts. Where it is desirable or necessary to mitigate the danger from wire fences constructed with posts of nonconducting material, [H.2.2](#) and [H.2.3](#) should be applied.

H.2.2 Iron Posts. Ground connections can be made by inserting galvanized-iron posts, such as are ordinarily used for farm fencing, at intervals and attaching in electrical contact all the wires of the fence. Grounding can also be achieved by driving a length of not less than 12.7 mm (½ in.) in diameter galvanized-iron pipe beside the fence and attaching the wires by ties of galvanized-iron wire. If the ground is normally dry, the intervals between metal posts should not exceed about 46 m (150 ft). If the ground is normally damp, the metal posts can be placed up to about 92 m (300 ft) apart.

H.2.3 Depth of Grounds. Pipes should be extended into the ground at least 0.6 m (2 ft).

H.3 Breaking Continuity of Fence.

H.3.1 In addition to grounding the fence, its electrical continuity should be broken by inserting insulating material in breaks in the wires at intervals of about 150 m (500 ft). These insertions can be in the form of fence panels of wood or lengths of insulating material to the ends of which the wires can be attached. Such lengths of insulating material can consist of strips of wood about 50 mm × 50 mm × 600 mm (2 in. × 2 in. × 24 in.), or their equivalent as far as insulating properties and mechanical strength are concerned.

H.3.2 In areas where herds can congregate along fences, the continuity should be broken at more frequent intervals than described in [H.3.1](#).

NEXT CHAPTER

Annex I Protection for Parked Aircraft

This annex is not a part of the requirements of this NFPA document but is included for informational purposes only.

I.1 General Principles.

I.1.1 For the purposes of this annex, aircraft includes airplanes, helicopters, and lighter-than-air craft. Aircraft can best be protected by being placed inside a lightning-protected hangar. Hangar facilities should be provided with grounding receptacles to permit interconnection of metal aircraft with the hangar lightning protection system. It is important that hangar floors, aprons, and aircraft parking areas be kept free of gasoline or other flammable liquids.

I.1.2 All metal airplanes parked outside hangars should be grounded. This grounding can be achieved by the use of grounded metal tie-down cables or the equivalent. Aircraft having fabric or plastic covering materials can be protected by connecting its metal frame to ground. For additional protection of aircraft parked outside hangars, an overhead ground wire or mast-type lightning protection system can be provided. The height should be in accordance with the zones of protection described in Chapter 4.

I.1.3 The effects of lightning strikes to metal and composite aircraft are a matter of continuous study. The use of surge suppression circuitry on critical navigational, radio-communication, and radar equipment can help to minimize these effects. Suitable equipment and electrical wiring layout can also aid in reducing lightning-induced problems.

I.1.4 Commercial aircraft have grown considerably larger in recent years and in many cases are taller than surrounding airport terminal buildings. A review of available lightning-strike injury data indicates that nearly all of the reported personnel injuries were the result of lightning-induced static discharge.

I.1.5 The grounding methods used for aircraft undergoing fuel servicing and certain maintenance operations are not necessarily adequate to provide effective lightning protection for aircraft or personnel. The installation of additional grounding straps, preferably at the aircraft's extremities, during thunderstorm activity will provide alternative paths to ground for any current flow resulting from the rapid adjustment in the aircraft surface charge. Experience has shown that additional grounding straps offer little protection in the event of a direct strike to the aircraft. Fuel-servicing operations and other maintenance operations involving the use of flammable liquids or the release of flammable vapors should be suspended during lightning storms. Refer to [NFPA 407](#), *Standard for Aircraft Fuel Servicing*, and [NFPA 410](#), *Standard on Aircraft Maintenance*, for more information.

I.1.6 Baggage handling, exterior maintenance, and servicing of parked aircraft should be suspended when a thunderstorm is in the vicinity of an airport. Lightning-warning equipment can be utilized to aid in determining when to suspend these operations. There are many detection methods capable of detecting and tracking approaching storms. One such method — atmospherics — is being used to establish lightning-detection networks that now cover approximately half of the United States. While atmospherics equipment can give positional information of distant lightning, it gives no warning of a cloud directly overhead becoming electrified. Devices that measure some property of the electric field can detect the development of a hazardous condition and provide a warning prior to the first discharge.

I.1.7 Cables connected to parked aircraft should not be handled when a thunderstorm is in the vicinity. The use of hand signals, without the use of headsets, is recommended for ground-to-cockpit communications during this period.

NEXT CHAPTER

Annex J(Reserved)

NEXT CHAPTER

Annex K Protection of Structures Housing Explosive Materials

This annex is not a part of the requirements of this NFPA document but is included for informational purposes only.

K.1 General.

This annex provides the minimum technical recommendations for lightning protection of structures housing explosive materials.

K.1.1 Due to the possibility of danger to the surrounding area, an increased level of protection efficiency as defined herein is necessary for such structures. The decision of when to protect these structures should be left to the authority having jurisdiction.

K.1.2 The protection of the contents contained in structures housing explosives should take into account the packages used to contain these materials as well as bonding or grounding requirements specified by the authority having jurisdiction.

K.2 Design Considerations.

Lightning protection systems designed to protect structures housing explosives and energetic materials should be based on a striking distance of 30 m (100 ft) as discussed in [7.3.3](#).

Where the effects of electromagnetic coupling are of concern, a mast of overhead wire (catenary) systems might be preferred over integral systems unless a metallic cage or shield is required. The removal (isolation) of the down conductors will reduce the magnetic field strength in the structure and reduce the probability of a sideflash from a down conductor.

K.3 Types of Systems.

K.3.1 Mast-Type Systems. Mast-type systems should be designed as specified in [7.3.3](#).

K.3.2 Overhead Wire (Catenary) Systems. Catenary systems should be designed as specified in [7.3.3](#).

K.3.3 Integral Systems. An integral lightning protection system is a system that utilizes air terminals mounted directly on the structure to be protected. These types of air termination systems are as described in Chapter [4](#). Air terminal spacing should be modified as necessary to provide a zone of protection defined by a 30 m (100 ft) striking distance.

Where an integral lightning protection system is used to protect the structures covered by this annex, it is critical that the bonding requirements of Chapter [4](#) be met. It is also critical that a rigorous maintenance schedule be maintained for this type of system.

K.3.4 Metallic Cage. The optimum protection for structures housing explosives would be to enclose the object to be protected within a grounded continuously conductive enclosure of adequate thickness and to provide adequate bonding of the services entering the structure at the entrance point. This would prevent the penetration of lightning current and related electromagnetic field into the object to be protected and prevent dangerous thermal and electrodynamic effects of current as well as dangerous sparking and overvoltages for electrical and electronic systems.

Effective lightning protection is similarly provided by metallic structures such as those formed by the steel arch or the reinforcing steel in the walls and floors of earth-covered magazines if the steel reinforcement is bonded together and it meets the minimum ground system resistance recommendations of [K.4](#).

K.4 Grounding.

K.4.1 General. A ground loop conductor should be required for all lightning protection systems used to protect the subject structures. All down conductors, structural steel, ground rods, and other

grounding systems should be connected to the ground loop conductor.

For structures with areas of 46.5 m² (500 ft²) or less or those that can be protected by a single mast or air terminal, the ground loop conductors should not be required.

K.4.2 Metal Portable Magazines. Portable magazines that provide the protection of a metallic cage as described in [K.3.4](#) should be grounded. Main-size conductors should be used to interconnect the portable magazine to the ground system. The lightning protection recommendations in [K.4.2.1](#) and [K.4.2.2](#) for portable magazines are for single and group configurations.

K.4.2.1 Single Portable Magazines. Single portable magazines less than 2.323 m² (25 ft²) (using outside dimensions) need only a single ground rod. Single portable magazines greater than or equal to 2.323 m² (25 ft²) should be grounded by using a minimum of two separate ground rods each placed in a different corner. Connections to existing ground loop conductors can be substituted for ground rods. All earth connections should provide as low as practical resistance-to-earth.

K.4.2.2 Portable Magazine Groups. A portable magazine group is formed when two or more portable magazines are bonded together aboveground. Portable magazine groups should meet the following bonding and grounding recommendations:

- (1) Each group should have a minimum of two connections to earth. Groups exceeding 76 m (250 ft) in perimeter should have a connection to earth for every 30 m (100 ft) of perimeter or fraction thereof such that the average distance between all connections to earth does not exceed 30 m (100 ft).
- (2) For small groups requiring only two connections to earth, the connections should be placed at opposite ends of the group, as far apart as is practical.
- (3) Connections to existing ground loop conductors can be substituted for ground rods. All earth connections should provide as low as practical resistance-to-earth.

K.5 Bonding.

K.5.1 General. It is critical that the bonding requirements of Chapter 4 be enforced for the protection of structures housing explosives or other energetic materials. The material used to bond items to the grounding loop conductor should meet the requirements of Section 4.2. Section 4.2 provides the requirements for the use of dissimilar metals.

K.5.2 Bonding Resistance. The resistance of any object bonded to the lightning protection system should not exceed 1 ohm. For static dissipative systems such as conductive floors, workbenches, and so on, bond resistance of 1 megohm is acceptable.

K.5.3 Painting. Bonding connections and conductor splices should not be painted. Paint on lightning protection conductors should not exceed a level at which the conductor's physical continuity can be confirmed.

K.5.4 Magazines.

K.5.4.1 Earth-Covered Magazines. Metal ventilators, steel doors, door frames, and steel reinforcement should be bonded to the structure's grounding system. Incoming power, data, and communication cables should be bonded to the ground loop conductor or steel reinforcement as it enters the structure.

K.5.4.2 Metal Portable Magazines. Portable box-type magazines made of 4.8 mm (³/₁₆ in.) steel or equivalent where the walls, floor, and roof are welded together should require bonding of the doors across the hinges. Bonding of services, data lines, and communication lines also should be provided. Additional information on this topic is available in the documents identified in [N.1.2.2](#) and [N.2.2](#).

K.5.5 Fences. Fences should have bonding across gates as well as other discontinuities and should be bonded to the lightning protection system ground loop conductor where they cross or come within the

sideflash distance of the structure of a lightning protection system. Bonding across discontinuities in metallic fences should be provided as necessary for electrical continuity.

K.5.6 Railroad Tracks. All railroad tracks that cross or come within the sideflash distance of a structure's lightning protection system should be bonded to the lightning protection system ground loop conductors. If the tracks are used to carry electrical signals, they should have insulated joints immediately external to bond the lightning protection system's ground loop conductor. If these tracks enter a facility, they also should be bonded to the frame of the structure (or equivalent).

K.6 Surge Protection.

Surge protection should be required for all power, communication, or data conductors entering or exiting a structure housing explosives. Specific requirements are provided in Section 4.18. The ground reference for the surge protection should be referenced to a ground plane where provided.

K.7 Maintenance and Inspection.

The effectiveness of a lightning protection system is best ensured by a quality control program designed to ensure that the system is not degraded by age, mechanical damage, or modifications to the structure. A maintenance and inspection plan should be developed for all protection systems used to protect structures housing explosives.

The initial installation should be inspected by the authority having jurisdiction (or their designated representative). It should be recertified after any work is done on the structure.

K.7.1 General. To ensure that the protection system used to protect structures housing explosives is properly maintained, it should be inspected visually twice a year and inspected electrically approximately once a year. To ensure that the systems are tested during all four seasons over a 6-year period, 7-month and 14-month test cycles are suggested.

K.7.2 Visual (7-Month) Test. The lightning protection system should be inspected visually every 7 months for evidence of corrosion or broken wires/connections. All necessary repairs should be made immediately. Any detected damage to the system should be entered in the test records as recommended in D.1.5.

K.7.3 Electrical (14-Month) Test. The lightning protection system should be tested electrically every 14 months. The test should be conducted in accordance with the appropriate test equipment manufacturer's instructions by personnel familiar with lightning protection system testing.

Surge suppressors should be verified operable once per year or after any suspected lightning strike.

K.7.4 Test Equipment. Only those instruments designed specifically for earth resistance testing are acceptable for use in this application. The instrument used in earth resistance testing should be capable of measuring 0 ohm to 10 ohms \pm 10 percent. The instrument used to measure bonding resistance should be capable of measuring 0 ohm to 1 ohm \pm 10 percent.

NEXT CHAPTER

Annex L Lightning Risk Assessment

This annex is not a part of the requirements of this NFPA document but is included for informational purposes only.

L.1 General.

The Lightning Risk Assessment Methodology is provided to assist the building owner or architect/engineer in determining the risk of damage due to lightning. Once the risk has been determined, deciding on the need for protection measures is much easier. The methodology considers only the damage caused by a direct strike to the building or structure to be protected and the currents flowing through the lightning protection system.

L.1.1 In most cases, the need for lightning protection is obvious. Examples are as follows:

- (1) Large crowds
- (2) Service continuity
- (3) Very high lightning flash frequency
- (4) Tall isolated structure
- (5) Building containing explosive or flammable materials
- (6) Building containing irreplaceable cultural heritage

L.1.2 Some common types of consequences of lightning strokes to several types of common structures are listed in [Table L.1.2](#).

Table L.1.2 Damage by Occupancy Use

Structure Type	Lightning Consequence
Private homes	Perforation of electrical installations; fire and equipment damage limited to objects close to the lightning strike point or path
Farms	Risk of fire and dangerous sparks Risk consequent to power failure: loss of ventilation for livestock and food distribution Risk of step voltage consequence
Theaters, schools, large retail stores, sports areas	Risk of panic and fire, alarm system and power failures, loss of life
Banks, insurance companies, businesses, hospitals	Panic, egress problems, alarm failures and power failures, loss of life,

and elder care	handicap egress issues Loss of computer and electronic equipment
Industrial buildings	Loss of production, loss of feed stock, damage to and consequences from flammables, explosive materials Loss of electronic and computer equipment
Museums and cultural sites	Irreplaceable losses of cultural heritage

L.1.3 The probability that a structure or object will be struck by lightning is the product of the equivalent collection area of the structure or object and the flash density for the area that the structure is located.

L.1.4 This risk assessment method is a guide that takes into account the lightning and the following factors:

- (1) Building environment
- (2) Type of construction
- (3) Structure occupancy
- (4) Structure contents
- (5) Lightning stroke consequences

L.1.5 Lightning risk for a structure is the product of the lightning strike frequency and the consequence of the strike to the structure.

L.2 Lightning Flash Density (N_g).

The yearly number of flashes to ground per square kilometer, lightning flash density, is found in [Figure L.2](#).



FIGURE L.2 1989–1998 Average U.S. Lightning Flash Density Flashes per Square Kilometer per Year. (Courtesy Global Atmospheric, Inc.)

NEXT CHAPTER

L.3 Lightning Strike Frequency (N_d).

The yearly lightning strike frequency (N_d) to a structure is determined by the following equation:

$$N_d = (N_g)(A_e)(C_1)(10^{-6})$$

where:

N_d = the yearly lightning strike frequency to the structure

N_g = the yearly average flash density in the region where the structure is located

A_e = the equivalent collective area of the structure (m^2)

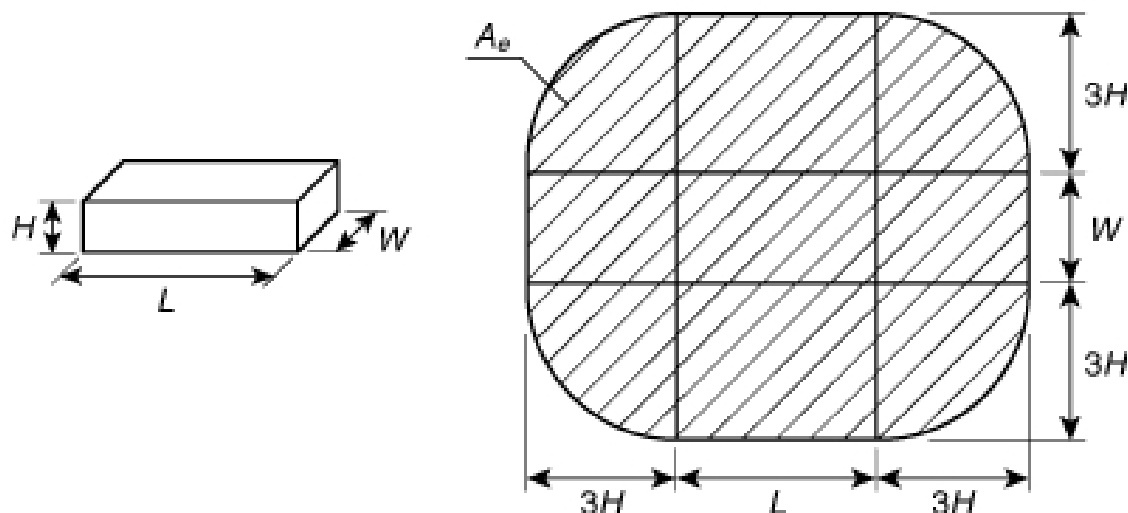
C_1 = the environmental coefficient

L.4 Equivalent Collective Area (A_e).

A_e refers to the ground area having the same yearly direct lightning flash probability as the structure. It is an increased area for the structure that includes the effect of the height and location of the structure.

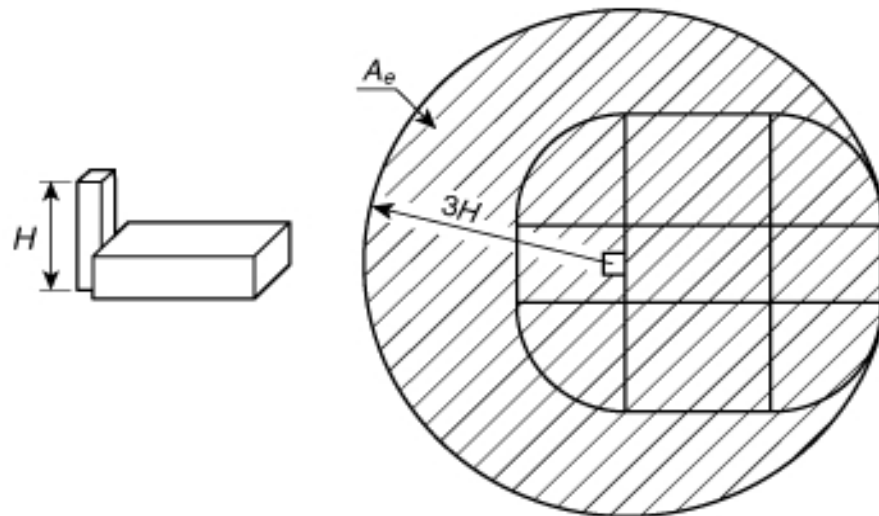
L.4.1 The equivalent collective area, A_e , of a structure is calculated in accordance with [Figure L.4.2\(a\)](#) through [Figure L.4.2\(c\)](#).

L.4.2 The equivalent collective area of a structure is the area obtained by extending a line with a slope of 1 to 3 from the top of the structure to ground completely around the structure. The total included area is the equivalent collective area (ECA). [See [Figure L.4.2\(a\)](#), [Figure L.4.2\(b\)](#), and [Figure L.4.2\(c\)](#) for examples of calculating the ECA.]



Note: For a rectangular structure, $A_e = LW + 6H(L + W) + \pi 9H^2$.

FIGURE L.4.2(a) Calculation of the Equivalent Collective Area for a Rectangular Structure.



Note: For a structure where a prominent part encompasses all portions of the lower part, $A_e = \pi 9H^2$.

FIGURE L.4.2(b) Calculation of the Equivalent Collective Area for a Structure Where a Prominent Part Encompasses All Portions of the Lower Part of the Structure.

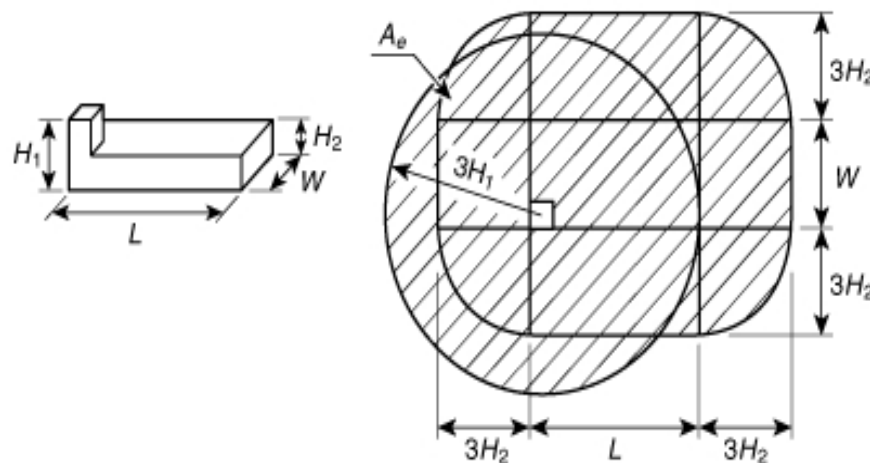


FIGURE L.4.2(c) Alternative Calculation of the Equivalent Collective Area for a Structure Where a Prominent Part Encompasses All Portions of the Lower Part of the Structure.

L.4.3 The environmental coefficient accounts for the topography of the site of the structure and any objects located within the distance $3H$ from the structure that can affect the collective area. Environmental coefficients are given in [Table L.4.3](#).

Table L.4.3 Determination of Environmental Coefficient C_1

Relative Structure Location	C_1
Structure located within a space containing structures or trees of the same height or taller within a distance of $3H$	0.25

Structure surrounded by smaller structures within a distance of $3H$	0.5
Isolated structure, no other structures located within a distance of $3H$	1
Isolated structure on a hilltop	2

L.4.4 Where the equivalent collective area of a structure totally covers another structure, that structure is disregarded.

L.4.5 When the collective areas of several structures are overlapped, the corresponding common collection area is considered as a single collection area.

L.5 Tolerable Lightning Frequency (N_c).

The tolerable lightning frequency (N_c) is a measure of the damage risk to the structure including factors affecting risks to the structure, environment, and monetary loss.

The tolerable lightning frequency is expressed by the following formula, where $C = (C_2)(C_3)(C_4)(C_5)$.

$$N_c = \frac{1.5 \times 10^{-3}}{C}$$

The values for C are obtained from [Table L.5\(a\)](#) through [Table L.5\(d\)](#); 1.5×10^{-3} is an amount selected to represent the acceptable frequency of property losses.

Table L.5(a) Determination of Structural Coefficient C_2

Structure	Structural Coefficients C_2		
	Metal Roof	Nonmetallic Roof	Flammable Roof
Metal	0.5	1.0	2.0
Nonmetallic	1.0	1.0	2.5
Flammable	2.0	2.5	3.0

Table L.5(b) Determination of Structure Contents Coefficient C_3

Structure Contents	C_3
Low value and nonflammable	0.5
Standard value and nonflammable	1.0
High value, moderate flammability	2.0
Exceptional value, flammable, computer or electronics	3.0
Exceptional value, irreplaceable cultural items	4.0

Table L.5(c) Determination of Structure Occupancy Coefficient C_4

Structure Occupancy	C_4
Unoccupied	0.5
Normally occupied	1.0
Difficult to evacuate or risk of panic	3.0

Table L.5(d) Determination of Lightning Consequence Coefficient C_5

Lightning Consequence	C_5
Continuity of facility services not required, no environmental impact	1.0
Continuity of facility services required, no environmental impact	5.0
Consequences to the environment	10.0

L.6 Selection of the Protection Level.

L.6.1 The tolerable lightning frequency (N_c) is compared with the expected lightning frequency (N_d). The result of this comparison is used to decide if a lightning protection system is needed. If $N_d \leq N_c$, a lightning protection system (LPS) can be optional. If $N_d > N_c$, a lightning protection system should be installed.

L.6.2 When required, a lightning protection system should be installed per the requirements of this standard. Additionally, any statutory and regulatory requirements for the installation of a lightning protection system will take precedence over the results of this assessment.

L.6.3 When a lightning protection system is installed, the following additional protective measures should also be considered:

- (1) Measures limiting step or contact voltage
- (2) Measures restricting fire propagation
- (3) Measures limiting induced voltages
- (4) Measures to reduce the effects of lightning-induced surges to sensitive electronic equipment

L.6.4 [Table L.6.4](#) provides a simple method of calculating and using the assessment methods described in Annex L.

Table L.6.4 Determination of Protection System Requirement

Data Input Equations	Computation	Results
Equivalent collective area	$L =$	
$A_e = LW + 6H(L + W) + \pi 9H^2$	$W =$	

(for a rectangular structure)

 $H =$ $A_e =$ $H^2 =$

Expected lightning strike

 $N_g =$

frequency to the structure

 $A_e =$ $N_d =$

$$N_d = (N_g)(A_e)(C_1) (10^{-6})$$

 $C_1 =$

Tolerable lightning frequency

 $C_2 =$

to the structure

 $C_3 =$

$$N_c = (1.5 \times 10^{-3})/C$$

 $C_4 =$ $N_c =$ where $C = (C_2)(C_3)(C_4)(C_5)$ $C_5 =$ $C =$ If $N_d \leq N_c$, an LPS may be optional.If $N_d > N_c$, an LPS should be installed.**NEXT CHAPTER**

Annex M Guide for Personal Safety from Lightning

This annex is not a part of the requirements of this NFPA document but is included for informational purposes only.

M.1 Scope.

The purpose of this annex is to furnish a guide for personal safety from lightning. Personnel can be at risk prior to any visual or audible indication of a thunderstorm. Any time conditions that could lead to lightning activity exist, personnel safety should be considered. Lightning warning systems are available to provide early warning of lightning activity.

M.2 Personal Conduct During Lightning Activity.

M.2.1 Do not go out-of-doors or remain out, unless it is necessary. Seek shelter in structures such as the following:

- (1) Dwellings or other buildings that are protected against lightning
- (2) Underground shelters such as subways, tunnels, and caves
- (3) Large metal-frame buildings
- (4) Large unprotected buildings
- (5) Enclosed automobiles, buses, and other vehicles with metal tops and bodies
- (6) Enclosed metal trains and street cars
- (7) Enclosed metal boats or ships
- (8) Boats that are protected against lightning
- (9) City streets shielded by nearby buildings

M.2.2 If possible, avoid places with little or no protection from lightning such as the following:

- (1) Small, unprotected buildings, barns, sheds, and so forth
- (2) Tents and temporary shelters
- (3) Automobiles (nonmetal top or open)
- (4) Trailers (nonmetal or open)

M.2.3 Certain locations are extremely hazardous during thunderstorms and should be avoided if at all possible. Approaching thunderstorms should be anticipated and the following locations avoided when thunderstorms are in the immediate vicinity:

- (1) Hilltops and ridges
- (2) Areas on top of buildings
- (3) Open fields, athletic fields, golf courses
- (4) Parking lots and tennis courts
- (5) Swimming pools (indoor or outdoor), lakes, and seashores
- (6) Near wire fences, clotheslines, overhead wires, and railroad tracks
- (7) Under isolated trees
- (8) Near electrical appliances, telephones, plumbing fixtures, and metal or electrically conductive objects

M.2.4 It is especially hazardous to be riding in or on any of the following during thunderstorms while in the locations described in [M.2.3](#):

- (1) Open tractors or other farm machinery operated in open fields

- (2) Golf carts, scooters, bicycles, or motorcycles
- (3) Open boats (without masts) and hovercraft
- (4) Automobiles (nonmetal top or open)

M.2.5 It is not always possible to choose a location that offers good protection from lightning, but the following rules should be observed when a location can be selected:

- (1) Seek depressed areas — avoid mountaintops, hilltops, and other high places.
- (2) Seek dense woods — avoid isolated trees.
- (3) Seek buildings, tents, and shelters in low areas — avoid unprotected buildings.
- (4) If caught in an exposed area, crouch as low as possible, keeping feet together, putting hands on knees. To minimize risk of direct strike, it is necessary to keep as low as possible. To minimize risk of step potential hazards, it is necessary to minimize the area of the body in contact with the ground. Do not lie flat.

M.3 Protection for Personnel in Watercraft.

Inasmuch as the basic purpose of protection against lightning is to ensure the safety of personnel, it is appropriate that the precautions and suggestions in [M.3.1](#) through [M.3.3](#) be listed in addition to all applicable recommendations in the preceding sections.

M.3.1 One should remain inside a closed boat, as far as practical, during a lightning storm and should not dangle arms or legs in the water.

M.3.2 To the extent consistent with safe handling and navigation of the boat during a lightning storm, one should avoid making contact with any items connected to a lightning protection system and especially in such a way as to bridge between these items. For example, it is undesirable that an operator be in contact with reversing gear levers and spotlight control handle at the same time.

M.3.3 No one should be in the water during a lightning storm.

NEXT CHAPTER

Annex N Informational References

N.1 Referenced Publications.

The following documents or portions thereof are referenced within this standard for informational purposes only and are thus not part of the requirements of this document unless also listed in Chapter 2.

N.1.1 NFPA Publications. National Fire Protection Association, 1 Batterymarch Park, Quincy, MA 02169-7471.

NFPA 70, *National Electrical Code*, 2002 edition.

[NFPA 302](#), *Fire Protection Standard for Pleasure and Commercial Motor Craft*, 2004 edition.

[NFPA 407](#), *Standard for Aircraft Fuel Servicing*, 2001 edition.

[NFPA 410](#), *Standard on Aircraft Maintenance*, 2004 edition.

N.1.2 Other Publications.

N.1.2.1 IEC Publication. International Electrotechnical Commission, 3 rue de Varembé, P.O. Box 131, CH-1211 Geneva 20, Switzerland.

IEC 61312-1, *Protection Against Lightning Electromagnetic Impulse*, 1995.

N.1.2.2 Military Publications. The following military standard is available from Naval Publications and Forms Center, 5801 Tabor Avenue, Philadelphia, PA 19120; Headquarters, Army Material Command Code DRXAM-ABS, Alexandria, VA; or Air Force Publications Center, Baltimore, MD.

MIL-STD-464, *Interface Standard Electromagnetic Environmental Effects Requirements for Systems*, 1997.

N.1.2.3 UL Publication. Underwriters Laboratories Inc., 333 Pfingsten Road, Northbrook, IL 60062-2096.

UL 1449, *UL Standard for Safety Transient Voltage Surge Suppressors*, 1996.

N.1.2.4 Other Reference.

Moore, C. B., W. Rison, J. Mathis, and G. Aulich. "Lightning Rod Improvement Studies," *J. Appl. Meteorol.* 39:593–609.

N.2 Informational References.

The following documents or portions thereof are listed here as informational resources only. They are not a part of the requirements of this document.

N.2.1 IEC Publications. International Electrotechnical Commission, 3 rue de Varembé, P.O. Box 131, CH-1211 Geneva 20, Switzerland.

IEC 1024-1, *Protection of Structures Against Lightning, Part 1*, 1992.

IEC 1312-1, *Protection Against Lightning Electromagnetic Impulse, Part 1: General Principles*, 1995.

IEC 1662, *Assessment of the Risk of Damage Due to Lightning*, First Edition, 1995.

IEC 61643-12, *Surge Protective Devices Connected To Low-Voltage Power Distribution Systems — Selection and Application Principles*, 2002.

IEC DIS81 (BC/CO)14, *Protection of Structures Against Lightning, Part 1: General Principles, Section 1: Guide A — Selection of Protection Levels for Lightning Protection Systems*, 1991.

N.2.2 IEEE Publications. Institute of Electrical and Electronics Engineers, 445 Hoes Lane, P.O. Box 1331, Piscataway, NJ 08855-1331.

ANSI/IEEE C62.11, *Standard for Metal-Oxide Surge Arresters for Alternating Current Systems*, 1993.

ANSI/IEEE C62.41.1, *Recommended Practice for Surge Voltages in Low-Voltage AC Power Circuits*, 1991.

ANSI/IEEE C62.41.2, *Recommended Practice on Characterization of Surges in Low-Voltage (1000V and Less) AC Power Circuits*, 2002.

ANSI/IEEE C62.45, *IEEE Recommended Practice on Surge Testing for Equipment Connected to Low-Voltage AC Power Circuits*, 2002.

ANSI/IEEE 1100, *Recommended Practice for Powering and Grounding Electronic Equipment (Emerald Book)*, 1999.

IEEE 0093-9994/1100-0465, "Protection Zone for Buildings Against Lightning Strokes Using Transmission Protection Practices," R.H. Lee, 1978.

IEEE 80, *IEEE Guide for Safety in AC Substation Grounding*, 2000.

IEEE 141, *IEEE Recommended Practice for Electric Power Distribution for Industrial Plants*, 1997.

N.2.3 Military Publications. The following military standards and handbooks are available from Naval Publications and Forms Center, 5801 Tabor Avenue, Philadelphia, PA 19120; Headquarters, Army Material Command Code DRXAM-ABS, Alexandria, VA; or Air Force Publications Center, Baltimore, MD.

AFMAN 91-201, *Explosive Safety Standards*, Department of Air Force, Washington, DC, October 2001.

AMCR 385-100, *Safety Manual*, Chapter 8, Army Material Command, Washington, DC, 1985.

DoD 6055.9-STD, *Ammunition and Explosives Safety Standards*, Chapter 7, Department of Defense, Washington, DC, July 1999.

MIL-HDBK-419A, *Grounding, Bonding and Surge Suppression*, Volumes I and II, Department of Defense, Washington, DC, December 1987.

NAVSEA OP-5, *Ammunition and Explosives Ashore*, Volume 1, Sixth Revision, Chapter 6, Naval Sea Systems Command, Washington, DC, March 1995.

Tobias, J. M., ed., *The Basis of Conventional Lightning Protection Technology*, Federal Interagency Lightning Protection Group, Available on www.stinet.dtic.mil, Report No. ADA396784, p. 21, June 2001.

N.2.4 NEMA Publication. National Electrical Manufacturers Association, 1300 North 17th Street, Suite 1847, Rosslyn, VA 22209.

NEMA LS-1, *Low Voltage Surge Protective Devices*, 1992.

N.2.5 UL Publications. Underwriters Laboratories Inc., 333 Pfingsten Road, Northbrook, IL 60062-2096.

UL 452, *UL Standard for Safety Antenna Discharge Units*, 1993.

UL 497, *UL Standard for Safety Protectors for Paired Conductor Communications Circuits*, 2001.

UL 497A, *UL Standard for Safety Secondary Protectors for Communications Circuits*, 2001.

UL 497B, *UL Standard for Safety Protectors for Data Communications and Fire Alarm Circuits*, 1999.

UL 497C, *UL Standard for Safety Protectors for Coaxial Communications Circuits*, 2001.

N.3 References for Extracts.

The following documents are listed here to provide reference information, including title and edition, for extracts given throughout the nonmandatory sections of this standard as indicated by a reference in brackets [] following a section or paragraph. These documents are not a part of the requirements of

this document unless also listed in Chapter 2 for other reasons.

NFPA 70, *National Electrical Code*®, 2002 edition.

[NFPA 115](#), *Standard for Laser Fire Protection*, 2003 edition.

NEXT CHAPTER

Formal Interpretation

Formal Interpretation

NFPA 780

Lightning Protection Systems

2004 Edition

Reference: 4.9.13 and 4.9.14

F.I. 86-1

Question 1: Is it the intent of 4.9.13 and 4.9.14 that down conductors be bonded to the reinforcing steel at the top and bottom where conductors are sleeved with PVC and embedded in concrete?

Answer: Yes.

Question 2: Is it the intent of 4.9.13 and 4.9.14 to apply conductors installed in PVC conduit embedded in concrete?

Answer: Yes.

Question 3: Is it the intent of 4.9.13 and 4.9.14 that conductors embedded in steel reinforced concrete be bonded to the reinforcing steel where conductors enter and emerge from the concrete?

Answer: Yes.

Question 4: Is it the intent of 4.9.13 and 4.9.14 that conductors embedded in steel reinforced concrete be bonded to the reinforcing steel where conductors enter and emerge from the concrete even if entrance and exit is not at the top and bottom?

Answer: Yes.

Issue Edition: 1986 of NFPA 78

Reference: 3-24.2

Date: March 1988

Copyright © 2004 All Rights Reserved
NATIONAL FIRE PROTECTION ASSOCIATION

NEXT CHAPTER

Index

© 2004 National Fire Protection Association. All Rights Reserved.

The copyright in this index is separate and distinct from the copyright in the document that it indexes. The licensing provisions set forth for the document are not applicable to this index. This index may not be reproduced in whole or in part by any means without the express written permission of NFPA.

-A-

Aboveground tanks 7.4.1, 7.4.2.2, A.7.4.1.2
Aircraft, parked Annex I
Air-inflated structures 5.5
Air terminals *see also* Strike termination devices
 Definition 3.3.29.1, A.3.3.29.1
 Flammable vapors or gases, structures containing 7.3.3.9, 7.4.2.1
 Height 4.6.2, 6.3.3, A.4.6.2
 Mountings 6.3.4
 Ornaments 4.6.4
 Support 4.6.3
 Trees F.2.3
Air-vapor mixtures, flammable 7.2.4
 Definition 3.3.9, A.3.3.9
Aluminum, use of 4.2.2.3, 4.2.3, 4.2.4, 4.5, 7.3.1.4, 8.2.2
Anchors, masonry 4.11
Antennas A.4.18.2.2
 Grounds 4.14.1.1
 Metal masts and supports 4.17
 Radio 8.3.5, 8.7.2
 On watercraft 8.3, 8.7.2, A.8.3.6.3
Approved
 Components 1.3
 Definition 3.2.1, A.3.2.1
Arresters, surge (definition) 3.3.27
Authority having jurisdiction (definition) 3.2.2, A.3.2.2

-B-

Ball parks G.2
Beaches G.3
Bends, conductor 4.9.5
Bonding
 Common ground 4.14.2
 Of conductors to metal conduits 4.15.1.2
 Definition 3.3.1
 Heavy duty stacks 6.7.1, 6.8
 Metal bodies *see* Metal bodies
 Principles, explanation of Annex C
 Structures housing explosive materials K.5
Bonding conductors (definition) 3.3.5.1
Bronze 6.2.2, 6.5.1

-C-

Cables
 Connected to aircraft I.1.7
 Definition 3.3.2, A.3.3.2
 Metal 6.11
Catenary lightning protection systems K.3.2
 Definition 3.3.16.1
Chimneys 4.3.2, 4.7.1(4), 4.8.8, 4.9.4.2, 4.15.2
 Definition 3.3.3
Class I flammable liquids (definition) 3.3.17.1
Class II materials
 Definition 3.3.18.2, A.3.3.18.2
 Heavy-duty stacks 6.2.1
Class I materials (definition) 3.3.18.1, A.3.3.18.1
Coal and coke, structures for handling and processing 5.3
Columns, structural 4.9.13
Combination waveform generator 4.18.3.1
 Definition 3.3.4, A.3.3.4

Combustible liquids (definition) 3.3.17.2
Concealed systems 4.15
Concrete
 Encased electrodes 4.13.3
 Reinforced stacks 6.7
 Steel-reinforced, systems concealed in 4.15.3, 4.20.3(B), 4.21.1(B)
 Tanks and silos 5.6
Conductors 4.9, B.3.3
 Bends 4.9.5
 Bonding (definition) 3.3.5.1
 Cross-run 4.9.8
 Down *see* Down conductors
 Fastening 4.10
 Flammable vapors or gases, structures containing 7.2.5, 7.3.1.1, 7.3.1.3
 Heavy-duty stacks 6.4
 Interconnecting 4.9, 8.4.4, A.8.4.4
 Loop *see* Loop conductors
 Main 4.19.2.1
 Definition 3.3.5.3, A.3.3.5.3
 Protective covering for 4.4.2, 4.9.11, 4.9.12, 4.15.1
 Roof 4.9.7, 4.9.8
 Supports 4.9.6
 Trees F.2
 "U" or "V" pockets 4.9.4
 Watercraft 8.2.3, 8.4, A.8.2.3, A.8.4.4
Connections B.3.4 to B.3.8; *see also* Fittings, connector
 Aluminum systems 4.5.2.1, 4.5.2.2, 4.5.3
 Bonding 4.16.5
 Chimneys 4.8.8.1, 4.8.8.2
 Flammable vapors or gases, structures containing 7.3.1.1
 Metallic masses, on watercraft 8.6, A.8.6.2
 Metal parts of structure 4.6.1.2, 4.6.1.3
 Metal stacks 6.10.3, 6.10.4
 Structural steel 4.9.13, 4.16.2, 4.16.3
Containers, earthen 7.4.2
Copper, in protection systems 4.2.2.1, 4.2.2.2, 4.2.3, 4.2.4, 4.3.2, 4.5.2.1
 Flammable vapors or gases, structures containing 7.3.1.4
 Heavy-duty stacks 6.2.2, 6.3, 6.4.1.1, 6.5.1
 Watercraft 8.2.2, 8.2.3, 8.5.4.1.1, 8.5.4.2, A.8.2.3
Copper-clad steel 4.13.1.5, 7.3.1.4
 Definition 3.3.6
Corrosion
 Protection against 4.2, 4.3, 4.9.12, 6.2.2, 8.2.2
 Resistance to 4.2, 8.2.1
Cross-run conductors 4.9.8

-D-

Damage or displacement, mechanical 4.4
Definitions Chap. 3
Dormers 4.7.1(2), 4.8.3, 4.9.4.2, A.4.8.3
Down conductors C.1
 Heavy-duty stacks 6.4.2, 6.9.1, 6.10.1
 Ordinary structures 4.9.9 to 4.9.14, 4.19.1.3
 Surge protective devices and 4.18.6.3.4

-E-

Earthen containers 7.4.2
Earth grounding electrodes 4.18.8, A.4.18.8

- Electric service** 4.14.1.1, 4.18.1, A.4.18.1
- Electrodes**
- Combination 4.13.7
 - Concrete encased 4.13.3
 - Earth grounding 4.18.8, A.4.18.8
 - Ground ring 4.13.4, A.4.20.1
 - Plate 4.13.6, A.4.13.6
 - Radial 4.13.5, A.4.13.5
- Electronic equipment, watercraft** 8.6.5
- Elevators, wood frame** 5.3
- Engines, watercraft** 8.5.4.2.3, 8.6.3, 8.6.4
- Equalization bus** 8.6.1
- Execution of work** 1.4
- Explosive materials**
- Definition 3.3.18.3
 - Structures housing Annex K
- F-**
- Fasteners** 4.10
- Definition 3.3.7
 - Heavy-duty stacks 6.5
- Fences** H.1.4, K.5.5
- Wire H.2, H.3
- Fittings**
- Connector 4.5.2.1, 4.5.3, 4.12
 - Through-hull 8.5.4.2.10 to 8.5.4.2.13, 8.6.1, 8.6.2, A.8.6.2
- Fixed roof tanks** 7.4.1.1
- Flagpoles** 5.2
- Flame protection (definition)** 3.3.8
- Flammable air-vapor mixtures** 7.2.4
- Definition 3.3.9, A.3.3.9
- Flammable gases, structures containing** Chap. 7
- Flammable vapors**
- Definition 3.3.10
 - Liquids giving off Chap. 7
 - Structures containing Chap. 7
- Flash point (definition)** 3.3.11
- Flat roofs** Fig. 4.1.2, 4.7.1(1), Fig. 4.7.2.3(a), 4.8.1(B), 4.8.2.4, Fig. 4.8.2.4(a), 4.8.5, Fig. 4.8.5.2, 4.8.6, 4.9.7.1, 4.9.8, A.4.20.2
- Floating roof tanks** 7.4.1.2, A.7.4.1.2
- G-**
- Gases, flammable, structures containing** Chap. 7
- Gastight (definition)** 3.3.12
- Gently sloping roofs** 4.7.1(1), 4.8.1(B), 4.8.2.4, Fig. 4.8.2.4(b), 4.8.5, Fig. 4.8.5.2, 4.9.7.1, 4.9.8, A.4.20.2
- Grain elevators** 5.3
- Grandstands** G.2.1, G.2.2
- Grounded (definition)** 3.3.13
- Grounding**
- Aircraft, refueling I.1.5
 - Common 4.14
 - Explosive materials, structures housing K.4
 - Heavy-duty stacks 6.9, 6.10.2, 6.11, A.6.9
 - Tanks 7.4.1.4
 - Watercraft 8.4.1, 8.5, 8.6, A.8.6.2
 - Wire fences H.2
- Grounding plates** 8.5.4.1, 8.7.1
- Grounding strips** 8.5.4.2, 8.7.1
- Ground measurement techniques** Annex E
- Ground plate** 4.13.6, A.4.13.6
- Ground ring electrodes** 4.13.4, A.4.20.1
- Ground rods** 4.13.2, 6.9.2, A.4.13.2.4
- Depth 4.13.2.3
 - Multiple 4.13.2.4, A.4.13.2.4
- Ground terminals** 4.13, A.4.13.2.4
- Combinations 4.13.7
 - Concealed systems 4.15.4
 - Definition 3.3.29.2
- Heavy-duty stacks 6.9.1, 6.9.2
 - Selection criteria 4.13.8, A.4.13.8.1
 - Structural steel systems 4.16.4
 - Trees F.2.5
- Guyed structures** 5.7
- H-**
- Heavy-duty stacks** Chap. 6
- Definition 3.3.14
 - Metal 6.10
 - Reinforced concrete 6.7
- High-rise buildings (definition)** 3.3.15
- Hoods, steel** 6.3.5
- I-**
- Indirect losses** B.5
- Inspections** B.4, D.1, K.7
- Installation** 1.4
- Integral systems** K.3.3
- Interconnecting conductors** 4.9, 8.4.4, A.8.4.4
- Interconnecting grounded media** 4.14.1, 4.19.1.3, 4.19.2.1, 4.20.1.2, 6.8.1, A.4.20.1
- Interconnection of metallic masses, on watercraft** 8.6, A.8.6.2
- Interconnection of metal stacks** 6.10.3
- Iron posts** H.2.2
- J-**
- Joints** 7.4.1.1(A), 8.2.4
- L-**
- Labeled**
- Components 1.3
 - Definition 3.2.3
- Lightning protection principles** 7.2, Annex B
- Lightning protection systems (definition)** 3.3.16, A.3.3.16
- Lightning risk assessment methodology** Annex L
- Liquids**
- Combustible (definition) 3.3.17.2
 - Flammable, Class I (definition) 3.3.17.1
 - Giving off flammable vapors, structures containing liquids Chap. 7
- Listed**
- Components 1.3
 - Definition 3.2.4, A.3.2.4
- Livestock** Annex H
- Loop conductors**
- Definition 3.3.5.2
 - Heavy-duty stacks 6.3.4.1, 6.4.2.2 to 6.4.2.3, 6.8.1.1(A)
 - Ordinary structures 4.19.2.1, 4.20.1.2, 4.20.3, A.4.18.7.3, A.4.20.1
- Losses, indirect** B.5
- M-**
- Magazines**
- Earth covered K.5.4.1
 - Metal portable K.4.2, K.5.4.2
- Main conductors** 4.19.2.1
- Definition 3.3.5.3, A.3.3.5.3
- Maintenance** 1.5, B.4, D.2, K.7
- Masonry anchors** 4.11, 6.5.2
- Masonry chimneys** 4.15.2
- Masts** 5.2, 7.3.3, 7.4.2.1, 8.3, A.7.3.3.8, A.8.3.6.3, G.1.2; *see also* Metallic masts
- Mast-type systems** K.3.1
- Materials** 4.2; *see also* Class II materials; Class I materials; Explosive materials
- Maximum discharge current (I_{max}) (definition)** 3.3.19

- Measurement**
 Ground resistance, techniques Annex E
 Units of 1.6
- Metal bodies, bonding of** 4.19, 4.21, A.4.19, A.4.21.3
 Grounded bodies 4.21.2, C.1
 Heavy duty stacks 6.8
 Isolated (nongrounded) bodies 4.21.3, 6.8.2, A.4.21.3
 Long, vertical bodies 4.21.1
- Metal chimneys** 4.8.8
- Metal-clad structures (definition)** 3.3.24.1
- Metal-framed structures (definition)** 3.3.24.2; *see also* Steel, Structural systems
- Metal hulls, watercraft with** 8.5.1
- Metallic cage** K.3.4
- Metallic masts** 4.17, 8.3.3, 8.7.1
- Metal parts of structure**
 Connection to lightning protection system 4.6.1.2, 4.6.1.3
 Substitution for conductor of 4.9.3
- Metal stacks** 6.10
- Metal tanks** 5.4, 7.4.1.1, 8.4.5, A.7.1.1
 With nonmetallic roofs 7.4.1.3
- Metal towers** 5.4
- Metric units of measurement** 1.6
- Monel Metal™** 6.3
- N-**
- Nonmetallic enclosures, down conductors in** 4.9.14
- Nonmetallic masts** 8.3.4
- Nonmetallic tanks** 7.4.2.2
- Nonmetallic watercraft** 8.5.4, 8.7, A.8.7.2
- O-**
- Occupancies, special** Chap. 5
- Openings, vapor** 7.2.2
 Definition 3.3.32
- Open places** Annex G
- Overhead ground wires** 7.3.1.2, 7.3.3, 7.4.2.1, A.7.3.3.8, G.1.2, K.3.2
- P-**
- Personal safety, thunderstorms** *see* Thunderstorms, personal safety during
- Picnic grounds** G.1
- Piers** G.4
- Pipes and piping systems** 4.14.1, 7.4.1.1(B)
- Pitched roofs** Fig. 4.1.2.2, Fig. 4.7.2.3(b), 4.8.1, Fig. 4.8.2, 4.9.4.2, 4.9.7.1, A.4.20.2
- Planning, lightning protection** B.3
- Plate, ground** 4.13.6, A.4.13.6
- Plate electrodes** 4.13.6, A.4.13.6
- Playgrounds** G.1
- Potential equalization** 4.20, A.4.20.1, A.4.20.2
 Ground-level 4.20.1, A.4.20.1
 Heavy duty stacks 6.8.1
 Intermediate-level 4.20.3
 Roof-level 4.20.2, A.4.20.2
- Power boats** 8.7.2, A.8.7.2
- Principles of lightning protection** 7.2, Annex B
- Purpose of standard** 1.2
- R-**
- Racetracks** G.2
- Radial electrodes** 4.13.5, A.4.13.5
- Radio antennas** 8.3.5, 8.7.2
- Railroad tracks** K.5.6
- Records** D.1.4, D.1.5, D.2.3
- References** Chap. 2, Annex N
- Risk assessment methodology** Annex L
- Rods** 7.3.3, A.7.3.3.8
- Rolling sphere model** 4.7.3
- Roofs**
 Concealed systems and 4.15.1.1
 Conductors 4.9.7, 4.9.8
 Domed or rounded 4.7.1(3), 4.8.7
 Flat *see* Flat roofs
 Gently sloping *see* Gently sloping roofs
 Intermediate ridges on 4.8.4
 Irregular perimeters on 4.8.5
 Metal 4.9.3.3
 Multiple-level 4.7.2, 4.9.1
 Nonmetallic, on metallic tanks 7.4.1.3
 Open areas in 4.8.6
 Pitched *see* Pitched roofs
 Strike termination devices on 4.8, A.4.8.3
 Types and pitches 4.1.2
 Zones of protection 4.7.1
- Roof tanks** 7.4.1.1, 7.4.1.2, A.7.4.1.2
- S-**
- Safety during thunderstorms** *see* Thunderstorms, personal safety during
- Sailboats** 8.5.4.2.3, 8.7.1
- Scope of standard** 1.1, A.1.1.2
- Seacocks** 8.6.2, A.8.6.2
- Shall (definition)** 3.2.5
- Shelters, playground** G.1.1
- Should (definition)** 3.2.6
- Shrouds** 8.4.6, 8.7.1.2.1
- Sideflashes** 4.19.1.2, 6.10.3, 7.3.3.8, 8.4.4, A.7.3.3.8, A.8.4.4, C.2.5, K.5.6
 Definition 3.3.20
- Siding** 4.9.3.3
- Silos, concrete** 5.6
- Soil** B.3.5 to B.3.7
 Corrosive 4.9.12
 Sandy soil conditions 4.13.8.2
 Shallow topsoil 4.13.8.1, A.4.13.8.1
- Spark gap (definition)** 3.3.21
- Special occupancies** Chap. 5
- Spires** 5.2
- Splices, heavy-duty stacks** 6.6
- Stacks** *see* Heavy-duty stacks
- Standard (definition)** 3.2.7
- Stays** 8.4.6, 8.5.4.2.3, 8.7.1.3.1
- Steel**
 Copper-clad *see* Copper-clad steel
 Fasteners 6.5.1
 Grounding plates and strips 8.5.4.1.1, 8.5.4.2
 Hoods 6.3.5
 Overhead ground wires 7.3.1.4
 Sheet 7.3.2
 Strike termination devices 6.3
 Structural systems 4.16, 4.19.1.4, 4.20.3(A), 4.21.1(A)
 Watercraft connectors 8.2.2
- Strike termination devices** 4.6, A.4.6.2; *see also* Air terminals
 Conductors 4.9
 Dead ends 4.9.2
 Definition 3.3.22
 Flammable vapors or gases, structures containing 7.1.2.2, 7.3.1.1
 Heavy-duty stacks 6.2.2.1, 6.3
 One-way path 4.9.1
 Roof 4.8, A.4.8.3
 Structural steel systems 4.16.2
 Temporary 8.3.6, 8.7.2, A.8.3.6.3
 Watercraft 8.3.2, 8.3.6, 8.7.2, A.8.3.6.3
- Striking distance (definition)** 3.3.23
- Structures**
 Air-inflated 5.5
 Containing flammable vapors and gas Chap. 7

Guyed 5.7
 Handling and processing grain, coal, and coke 5.3
 Heavy-duty stacks *see* Heavy-duty stacks
 Housing explosive materials Annex K
 Metal-clad (definition) 3.3.24.1
 Metal-framed (definition) 3.3.24.2 *see also* Steel, Structural systems
 Metallic 7.1.2.1, A.7.1.1
 Metal parts of 4.6.1.2, 4.6.1.3, 4.9.3
 Miscellaneous Chap. 5
 Ordinary Chap. 4
Suppressed voltage rating (SVR) 4.18.4
 Definition 3.3.25, A.3.3.25
Surge arresters (definition) 3.3.27
Surge protection 4.18, A.4.18, B.3.10, K.6
Surge protective devices (SPDs) 4.18, A.4.18, B.3.10
 Definition 3.3.28
Surges A.4.18.1, A.4.18.2, A.4.18.5
 Definition 3.3.26

-T-

Tanks 7.1.1.2
 Aboveground 7.4.1, A.7.4.1.2
 Concrete 5.6
 Fixed roof 7.4.1.1
 Floating roof 7.4.1.2, A.7.4.1.2
 Grounding 7.4.1.4
 Metal 5.4, A.7.1.1
 With nonmetallic roofs 7.4.1.3
 Nonmetallic 7.4.2.2
Telephone grounds 4.14.1.1
Terminals *see* Air terminals; Ground terminals
Testing D.1.3, D.1.5, K.7.2 to K.7.4
Through-hull fittings 8.5.4.2.10 to 8.5.4.2.13, 8.6.1, 8.6.2, A.8.6.2
Thunderstorms, personal safety during Annex M
 Aircraft I.1.6
 Watercraft A.8.7.2, M.3
Towers, metal 5.4
Transients A.4.18.1, A.4.18.2.5
 Definition 3.3.30

Transient voltage surge suppressor (TVSS) 4.18.4
 Definition 3.3.30
Trees Annex F

-V-

Vapor openings 7.2.2
 Definition 3.3.32
Vapors, flammable *see* Flammable vapors
Vents 4.3.2, 4.7.1(4), 4.8.8
Voltage
 Maximum continuous operating voltage (MCOV) 4.18.5.2
 Definition 3.3.33.1
 Measured limiting voltage (MLV) (definition) 3.3.33.2
 Nominal system voltage (definition) 3.3.33.3
 Normal operating voltage (definition) 3.3.33.4

-W-

Watercraft Chap. 8
 Antennas and masts 8.3, A.8.3.6.3
 Conductors 8.4, A.8.4.4
 Definition 3.3.34
 Electronic equipment 8.6.5
 Engines 8.5.4.2.3, 8.6.3, 8.6.4
 Grounding 8.5, 8.6, A.8.6.2
 Interconnection of metal masses 8.6, A.8.6.2
 Materials used in system 8.2, A.8.2.3
 Metal-hulled craft 8.5.1
 Nonmetallic-hulled 8.5.4, 8.7, A.8.7.2
 Personnel safety precautions M.3
 Seacocks and through-hull fittings 8.6.1, 8.6.2, A.8.6.2
Window frames, metal 4.19.1.2, Fig. 4.21.3.1
Wires
 Metal guy 6.11
 Overhead ground *see* Overhead ground wires

-Z-

Zone of protection 4.7, 4.8.8
 Definition 3.3.35
 Rods, masts, and overhead wires 7.3.3.1 to 7.3.3.7
 Strike termination devices and 4.6.1.4
 Watercraft 8.3.1