

GENERAL

ALIAMAG The AMF5CS Series is a wafer type electromagnetic flowmeter ideal for conductive liquids. It comes in sizes from 25-200 mm. AMF5CS is widely used for tap-water, waste water, food & beverage, pulp & paper and many other industrial fluid. AMF5CS Series electromagnetic flowmeter could be used in compact or remote model with AMC Series converter of electromagnetic flowmeter.

FEATURES

- ☐ Light and compact version
- ☐ Flow Velocity range: 0-12 m/s, precise in low flow applications
- ☐ It comes any fange such as ANSI, DIN, JIS etc.
- ☐ Excellent for high pressure application
- ☐ Protection class: IP68 available; sensor submersible
- ☐ FEP Liner is suitable for vacuum tube
- ☐ High accuracy of +/-0.4% value of reading (or +/-0.2% value of reading)
- ☐ With Forward / Reverse flowrate measurement function
- ☐ It has electrode cleaning function

STANDARD SPECIFICATION

- | | | | |
|-------------------------|--|------------------------|---|
| ● Size | : 25, 32, 40, 50, 65, 80, 100, 125, 150, 200 mm | ● Cable Entry | : Standard: M20 Option: 1/2" NPTF |
| ● Measuring Range | : Velocity 0-0.25 m/s Min.
0-12 m/s Max. | ● Ambient Temperature | : -25~60 °C |
| ● Material | | ● Process Connection | : Wafer |
| Measuring Tube | : Stainless Steel 304 | ● Flange Type | : JIS 10K / JIS 20K / JIS 40K
ANSI 150# / ANSI 300# / ANSI 600#
DIN PN10 / PN16 / PN25 / PN40 |
| Coil Housing | : Carbon Steel (Standard)
: Stainless Steel 304 (Option)
: Stainless Steel 316 (Option) | ● Grounding Resistance | : Must be less than 10 Ω |
| ● Liner | : PTFE, FEP | ● Accuracy | : +/-0.5% of reading (Velocity ≥ 0.5 m/s)
: +/-0.2% of reading
(Suitable for AMC32CS / 32CSE converter) |
| ● Protection Class | : Junction box IP67, Body IP68
: IP68 (Submersible) | ● Temperature | : -40~180 °C |
| ● Conductivity | : More than 5 μS/cm | ● Max. Pressure | : 16 kgf/cm ² (Standard)
: 40 kgf/cm ² (Option) |
| ● Electrode & Grounding | : Stainless Steel 316L
: Hastelloy B
: Hastelloy C
: Titanium
: Tantalum
: Tungsten Carbide
: Platinum | ● Explosion Proof | : Ex d ia [ia] q IIC T6
(with AMC32CS, AMC32CSDF only) |

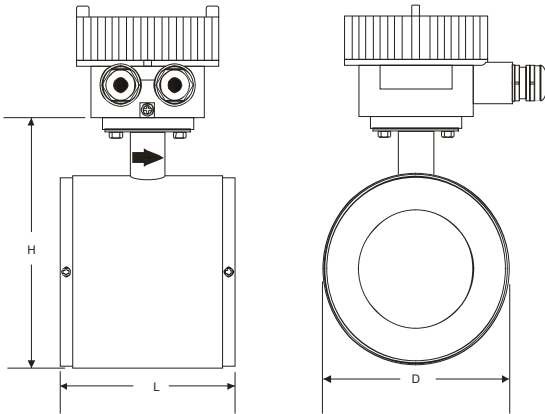


FLOW RANGE

Unit: m³/hr

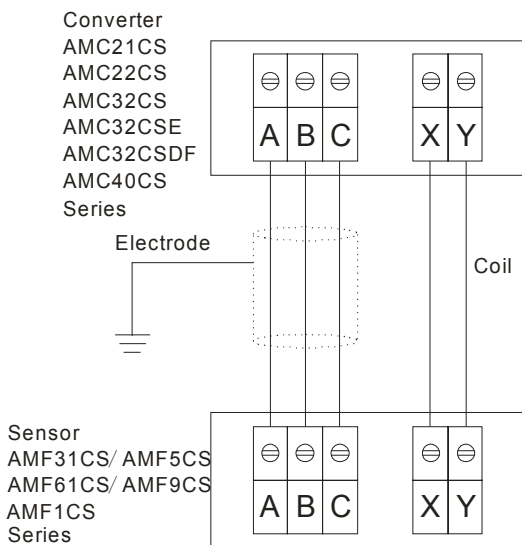
Normal Size		Flow Range & Velocity Table						
mm	Inch	Min. 0-0.25 m/s	1.0 m/s	2.0 m/s	3.0 m/s	5.0 m/s	10.0 m/s	Max. 0-12 m/s
25	1"	0 to 0.44	1.77	3.53	5.30	8.84	17.7	0 to 21.2
32	1-1/4"	0 to 0.72	2.90	5.79	8.69	14.5	29.0	0 to 34.7
40	1-1/2"	0 to 1.13	4.52	9.05	13.6	22.6	45.2	0 to 54.3
50	2"	0 to 1.77	7.07	14.1	21.2	35.3	70.7	0 to 84.8
65	2-1/2"	0 to 2.99	11.9	23.9	35.8	59.7	119	0 to 143
80	3"	0 to 4.52	18.1	36.2	54.3	90.5	181	0 to 217
100	4"	0 to 7.07	28.3	56.5	84.8	141	283	0 to 339
125	5"	0 to 11.0	44.2	88.4	133	221	442	0 to 530
150	6"	0 to 15.9	63.6	127	191	318	636	0 to 763
200	8"	0 to 28.3	113	226	339	565	1131	0 to 1357

DIMENSIONS



Size		Dimensions (mm)			Weight
mm	Inch	L	D	H	kg
25	1"	90	71	138	3.0
32	1-1/4"	100	80	147	3.6
40	1-1/2"		86	153	3.9
50	2"	115	100	167	5.0
65	2-1/2"		120	187	6.3
80	3"	130	131	198	6.5
100	4"	155	151	218	9.0
125	5"		181	248	11.0
150	6"		206	273	13.5
200	8"	215	261	328	21.0

WIRING DIAGRAM



MODEL SELECTION GUIDE

AMF5CS Series									
Example: AMF5CS-F080-CE80-050-N									
AMF5CS-	X	XXX	-X	X	X	X-	XXX	-X	Description
Liner	P								PTFE
	F								FEP
Size	025-200								25-200 mm
Electrode Material	-S								Stainless Steel 316L
	-T								Titanium
	-B								Hastelloy B
	-C								Hastelloy C
	-A								Tantalum
	-P								Platinum
	-U								Tungsten Carbide
	-Z								Others
Grounding	N								None
	E								Grounding Electrode (3 Electrodes)
	R								Grounding Ring (S.S. 316)
	A								Grounding & Protection Ring (S.S. 316)
Protection Class	8								Junction box IP67, Body IP68
	9								IP68 (Submersible, Remote with Converter Only)
Housing Material	0-								Carbon Steel (Standard)
	8-								S.S. 304 Housing
	9-								S.S. 316 Housing
Installation & Cable Length	NNN								Compact Version
	010-300								Remote Version, Cable 10-300 m
Option	-N								None
	-X								Explosion Proof, Ex d ia [ia] q IIC T6(with AMC32CS,AMC32CSDF Only)
	-P								Pressure higher than standard
	-T								Max. Temp. higher than 120 °C
	-PT								Cable Entry 1/2" NPTF
	-CD								Electrode Cleaning Device (Only for 2 Electrodes (316L), Size ≥4")
-LR								Low-resistance coil (with AMC32CSDF only)	

➤ BUILD OPTIONS-(COMPACT OR REMOTE)

